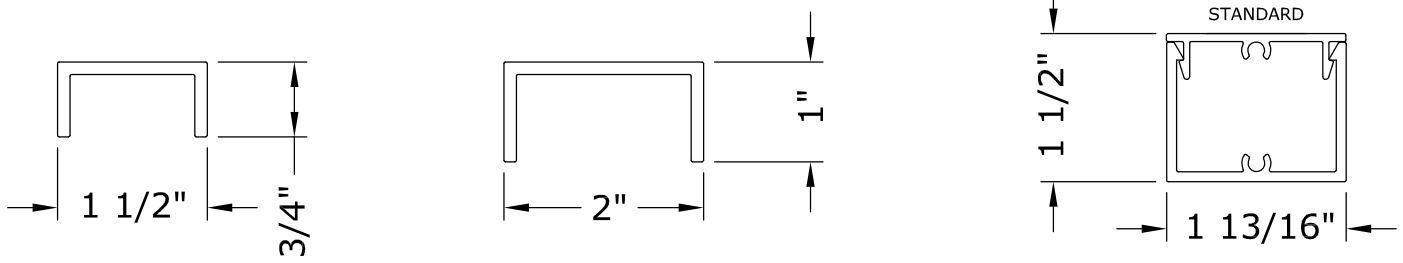
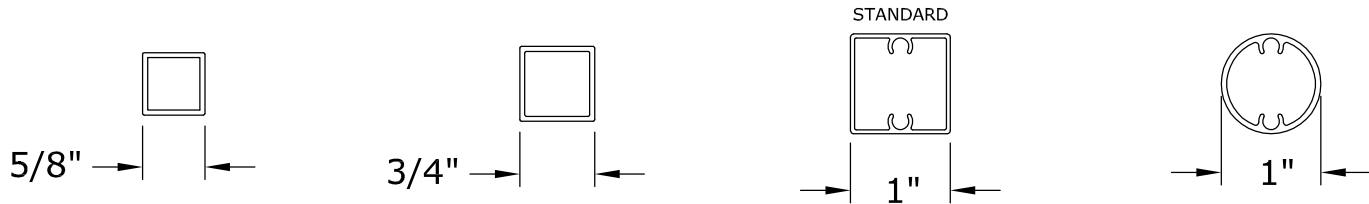


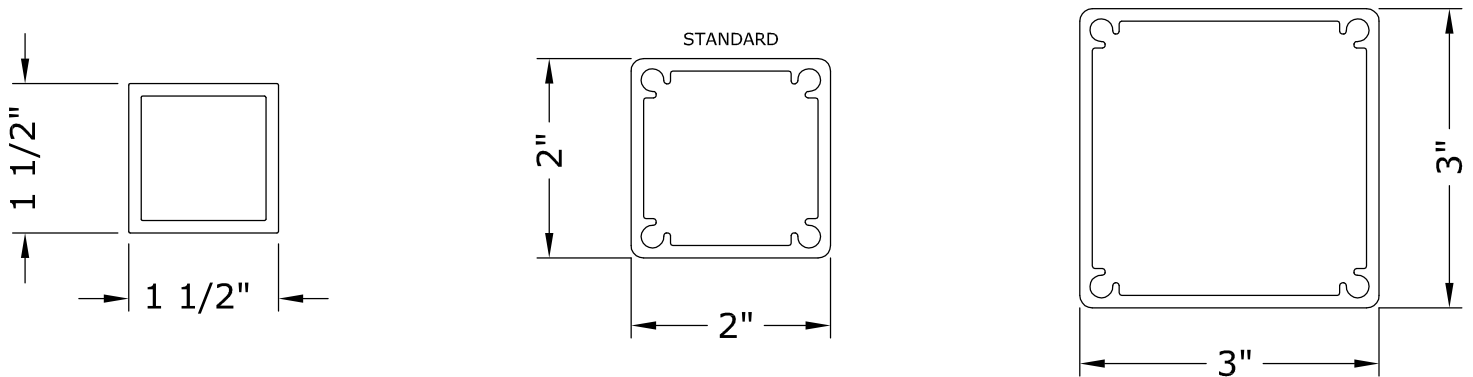
BOTTOM & INTERMEDIATE RAILING PROFILES



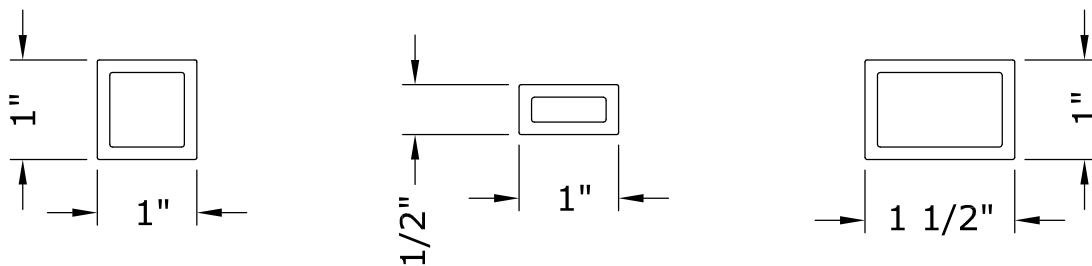
PICKETS



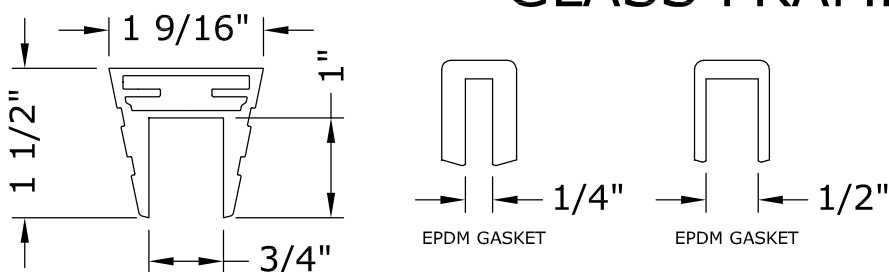
POST



DECORATIVE INFILL PANEL MATERIAL



GLASS FRAME



DRAWING FILE: SPEC.2.dwg

RailingWorks™

Architectural Railing Systems by Nexan

1213 26th Street SW Cullman, AL 35055

1-888-739-6172 Fax: 256-739-6173

Email: sales@nexaninc.com

Web: www.nexaninc.com