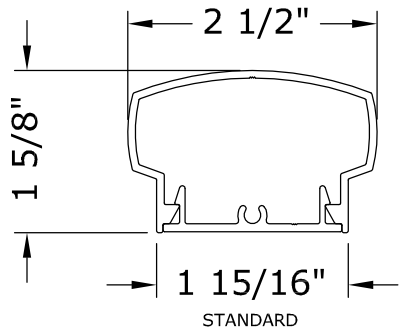
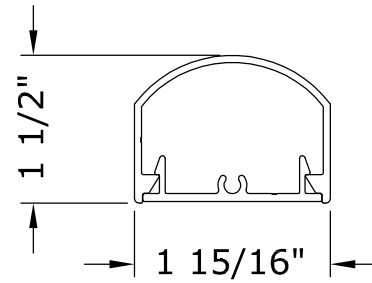


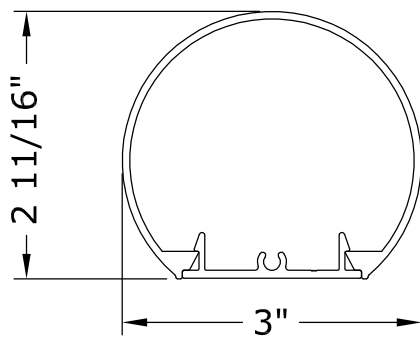
ALUMINUM HANDRAILING TOP PROFILES



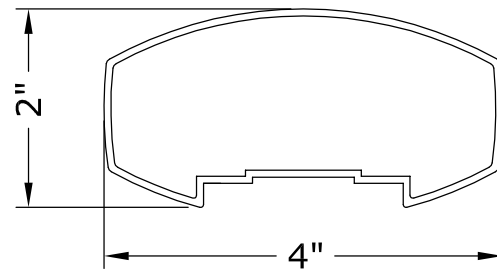
TC-1



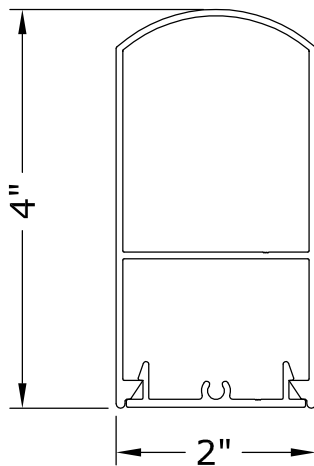
TC-2



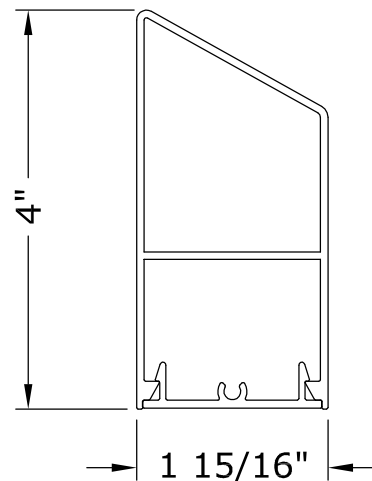
TC-3



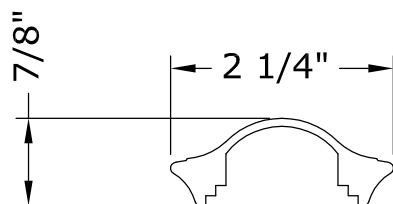
TC-4



TC-5



TC-6



TC-7

DRAWING FILE: SPEC.1.dwg

RailingWorks™

Architectural Railing Systems by Nexan

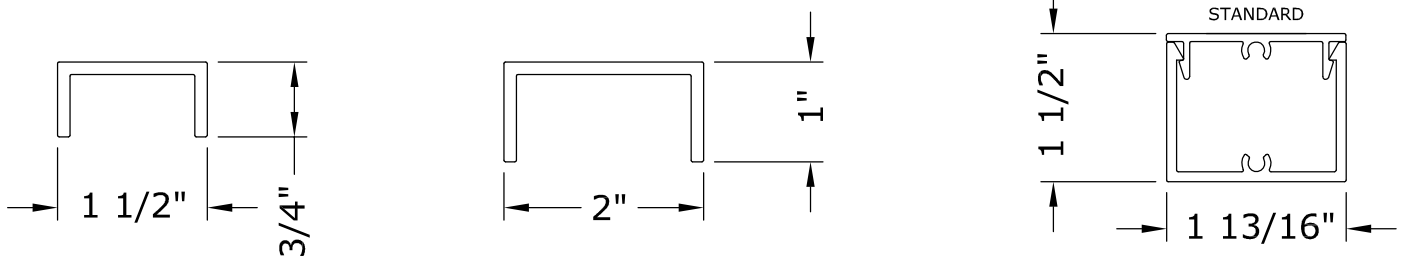
1213 26th Street SW Cullman, AL 35055

1-888-739-6172 Fax: 256-739-6173

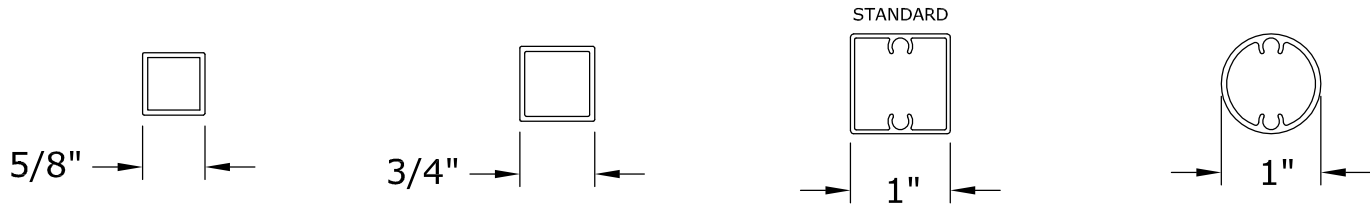
Email: sales@nexaninc.com

Web: www.nexaninc.com

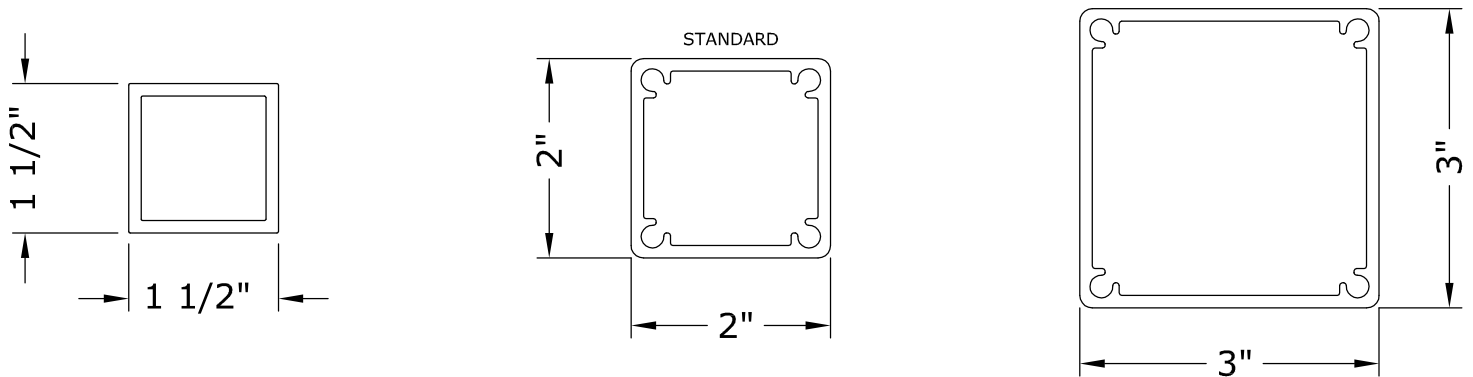
BOTTOM & INTERMEDIATE RAILING PROFILES



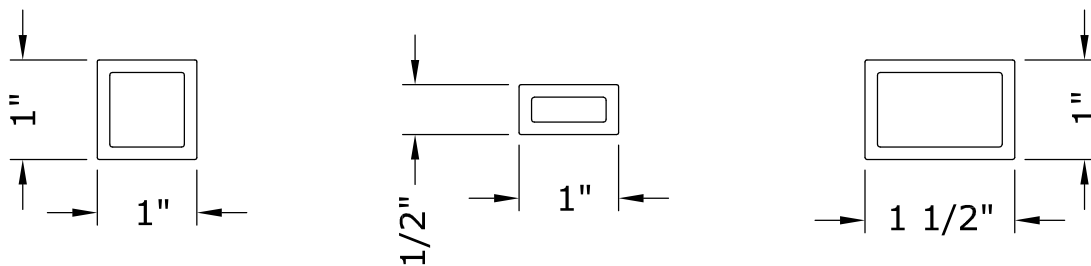
PICKETS



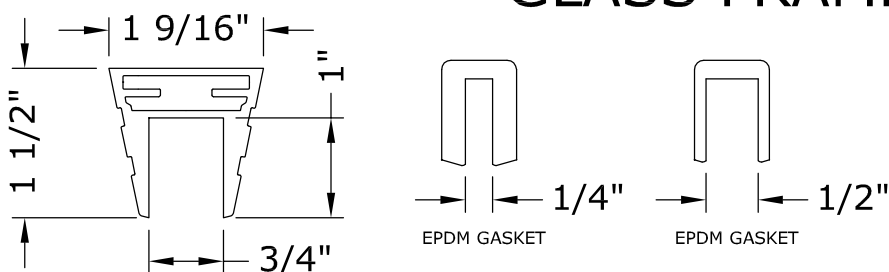
POST



DECORATIVE INFILL PANEL MATERIAL



GLASS FRAME



DRAWING FILE: SPEC.2.dwg

RailingWorks™

Architectural Railing Systems by Nexan

1213 26th Street SW Cullman, AL 35055

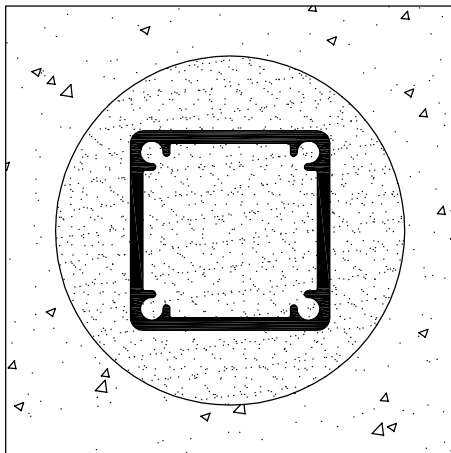
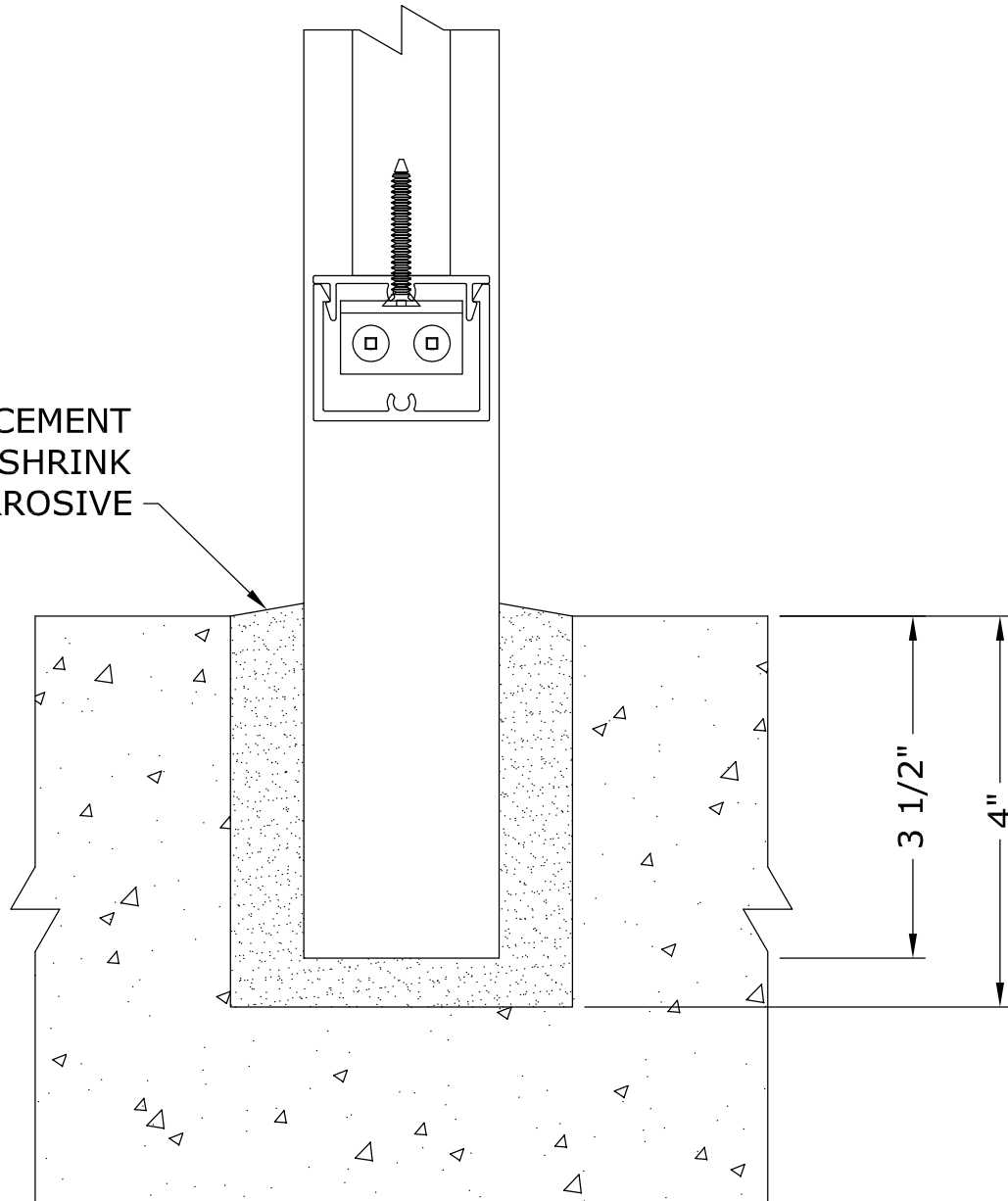
1-888-739-6172 Fax: 256-739-6173

Email: sales@nexaninc.com

Web: www.nexaninc.com

ANCHORING DETAILS CORE MOUNT 2" POST

ANCHORING CEMENT
NON-SHRINK
NON-CORROSIVE



DRAWING FILE: SPEC.3.dwg

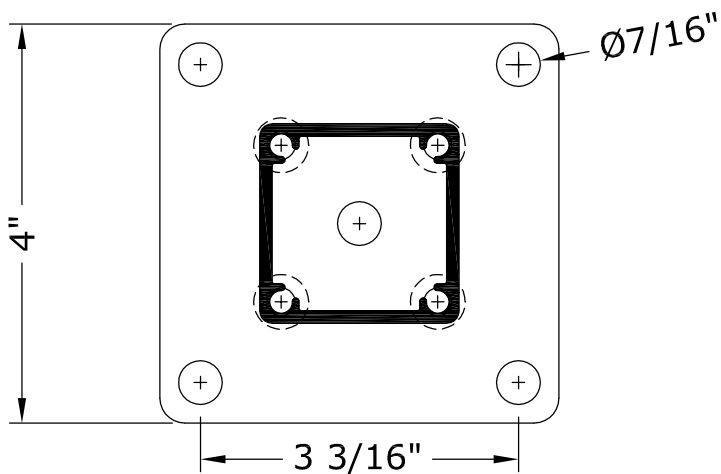
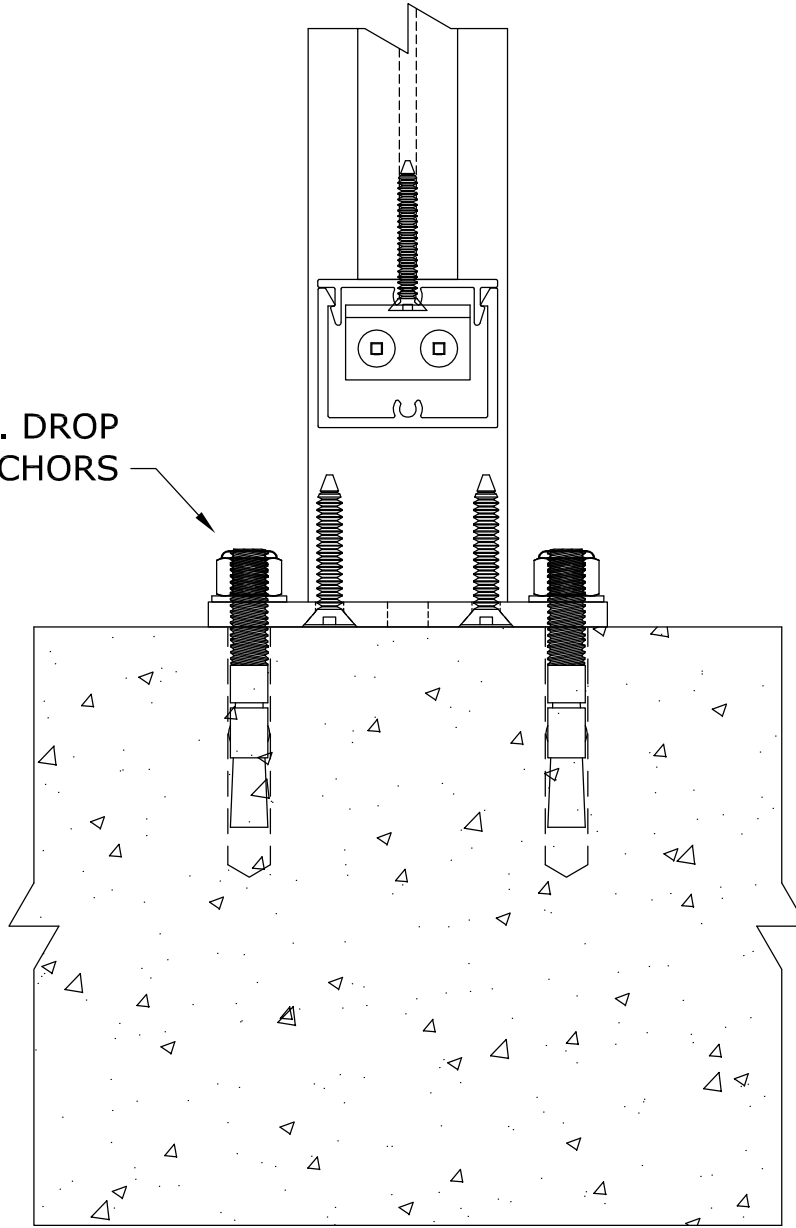
RailingWorks™

Architectural Railing Systems by Nexan

1213 26th Street SW Cullman, AL 35055
1-888-739-6172 Fax: 256-739-6173
Email: sales@nexaninc.com
Web: www.nexaninc.com

ANCHORING DETAILS FLAT PEDESTAL MOUNT 2" POST

3 1/2" S.S. DROP
IN CONCRETE ANCHORS



DRAWING FILE: SPEC.4.dwg

RailingWorks™

Architectural Railing Systems by Nexan

1213 26th Street SW Cullman, AL 35055

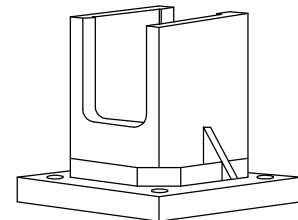
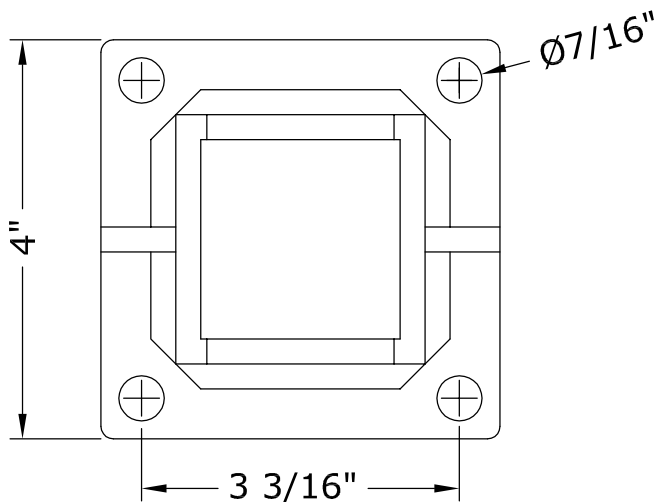
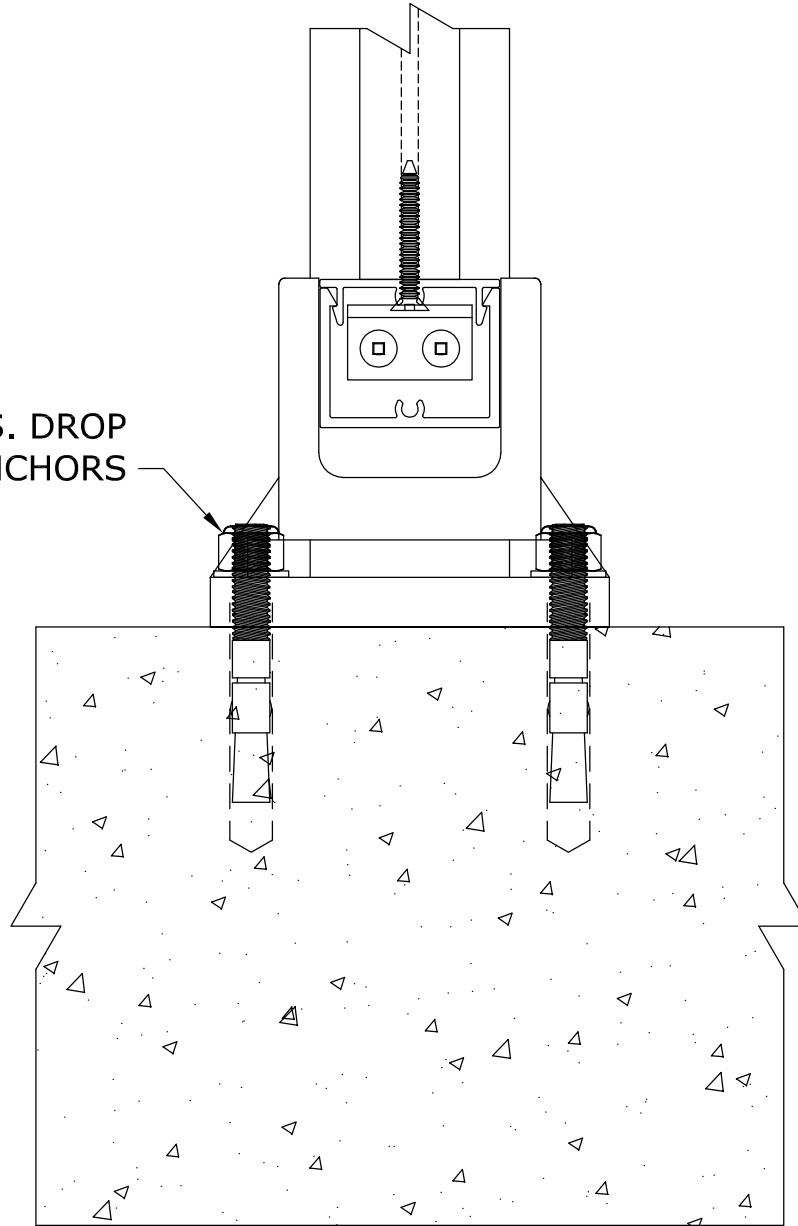
1-888-739-6172 Fax: 256-739-6173

Email: sales@nexaninc.com

Web: www.nexaninc.com

ANCHORING DETAILS CAST PEDESTAL BASE 2" POST

3 1/2" S.S. DROP
IN CONCRETE ANCHORS



DRAWING FILE: SPEC.5.dwg

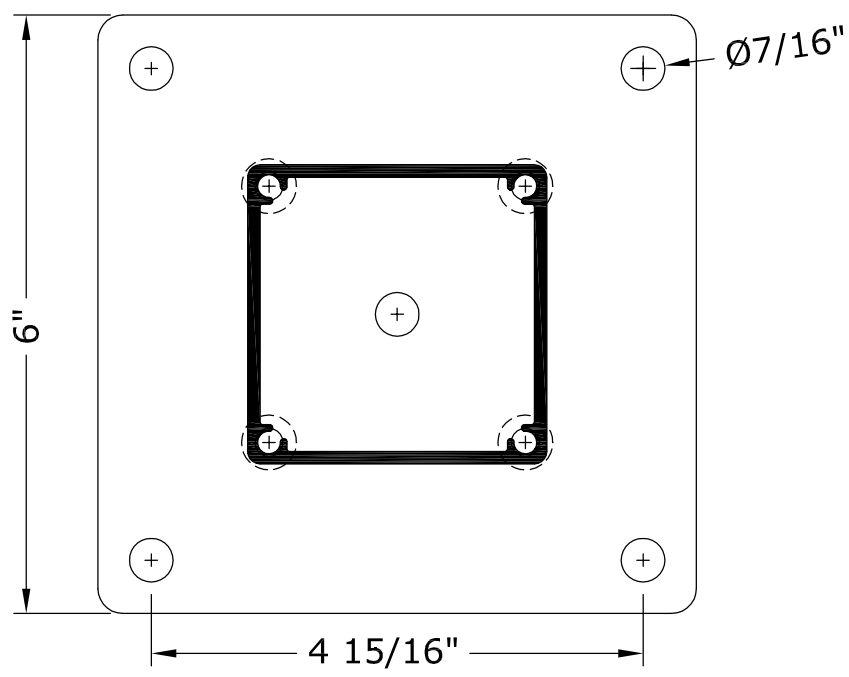
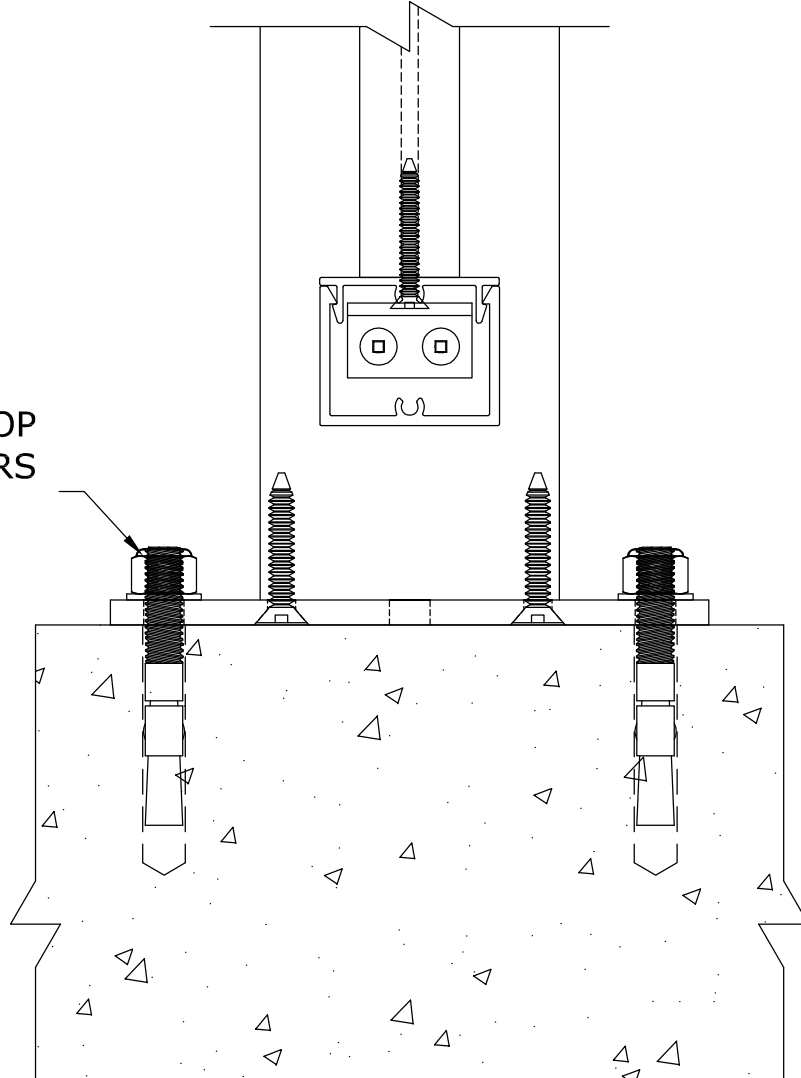
RailingWorks™

Architectural Railing Systems by Nexan

1213 26th Street SW Cullman, AL 35055
1-888-739-6172 Fax: 256-739-6173
Email: sales@nexaninc.com
Web: www.nexaninc.com

ANCHORING DETAILS FLAT PEDESTAL MOUNT 3" POST

3 1/2" S.S. DROP
IN CONCRETE ANCHORS

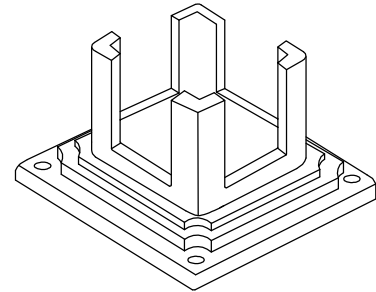
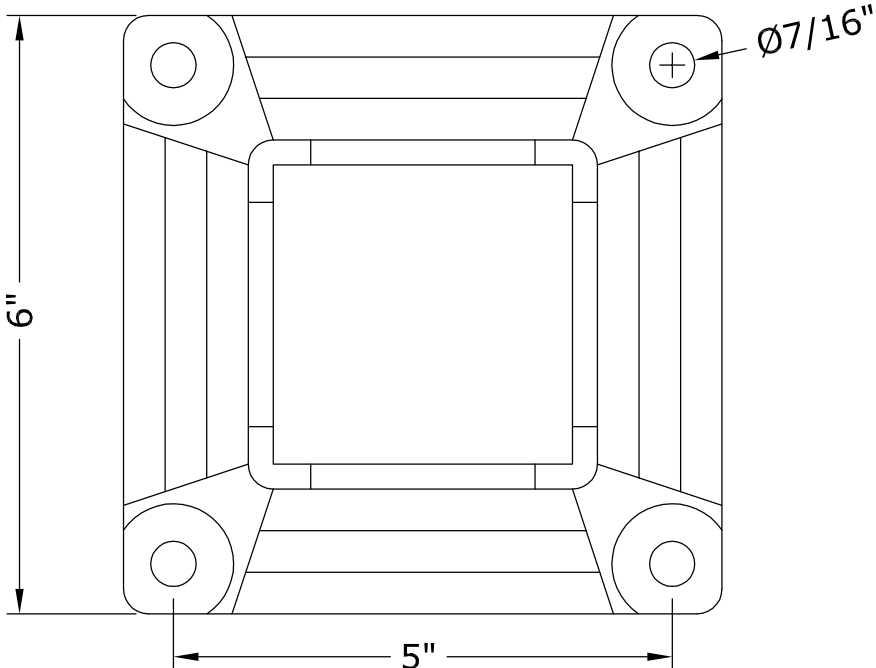
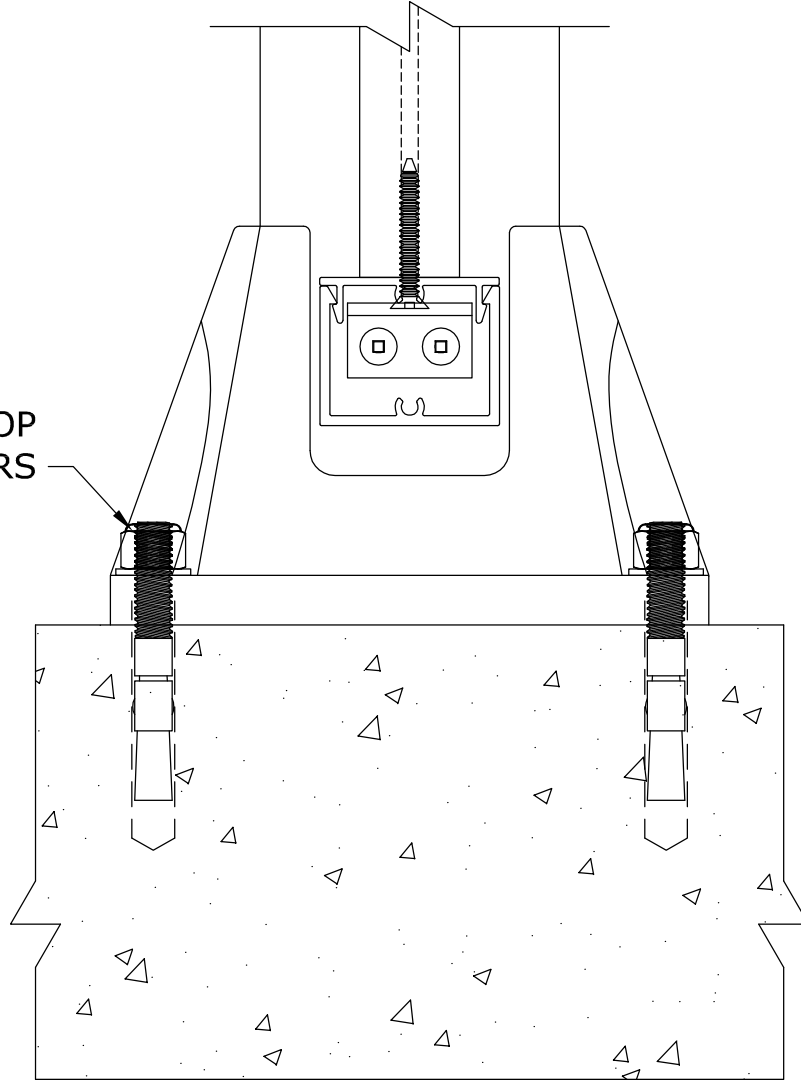


DRAWING FILE: SPEC.6.dwg

RailingWorks™
Architectural Railing Systems by Nexan
1213 26th Street SW Cullman, AL 35055
1-888-739-6172 Fax: 256-739-6173
Email: sales@nexaninc.com
Web: www.nexaninc.com

ANCHORING DETAILS CAST PEDESTAL BASE 3" POST

3 1/2" S.S. DROP
IN CONCRETE ANCHORS



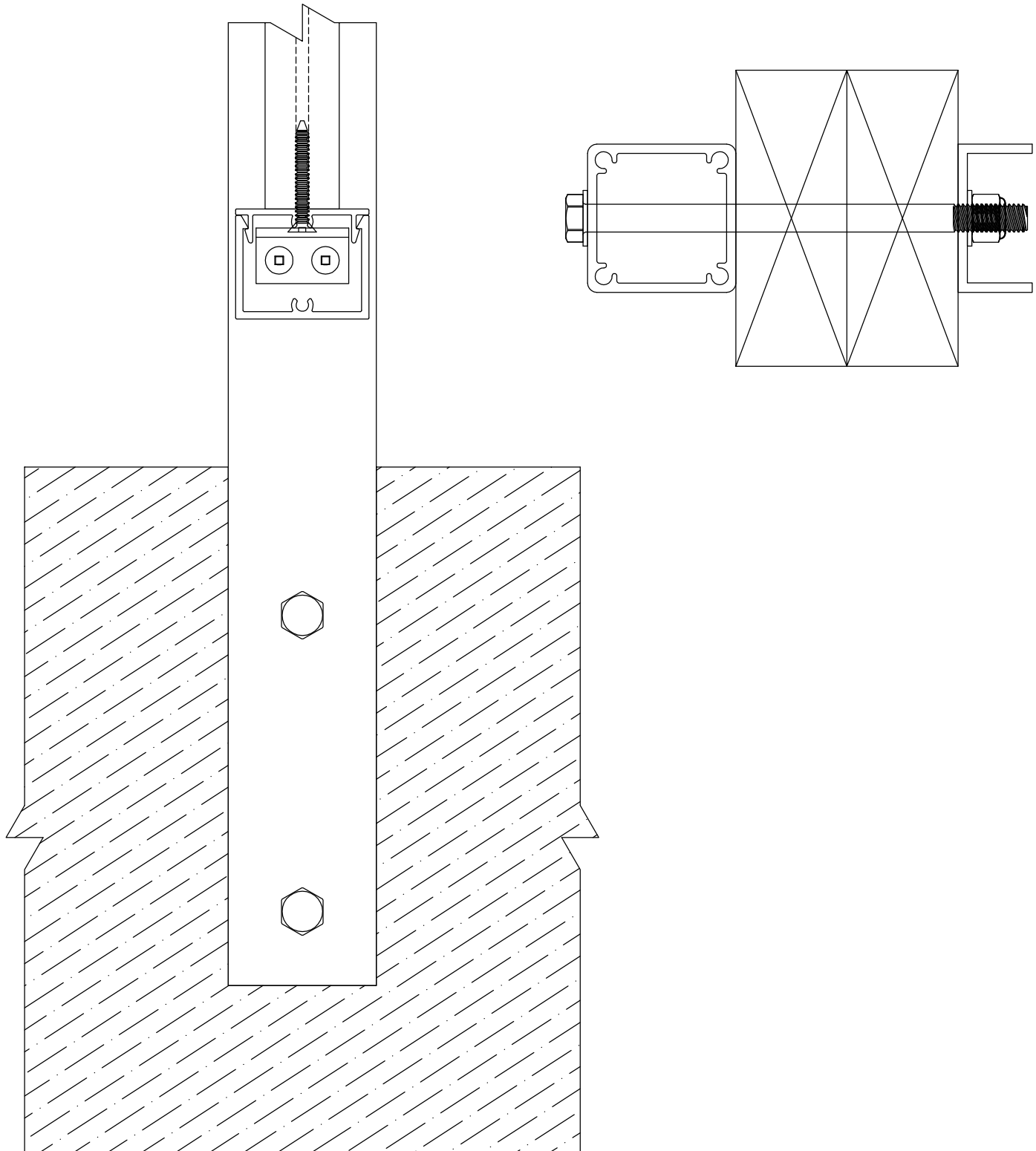
DRAWING FILE: SPEC.7.dwg

RailingWorks™

Architectural Railing Systems by Nexan

1213 26th Street SW Cullman, AL 35055
1-888-739-6172 Fax: 256-739-6173
Email: sales@nexaninc.com
Web: www.nexaninc.com

ANCHORING DETAILS FASCIA MOUNT



DRAWING FILE: SPEC.8.dwg

RailingWorks™

Architectural Railing Systems by Nexan

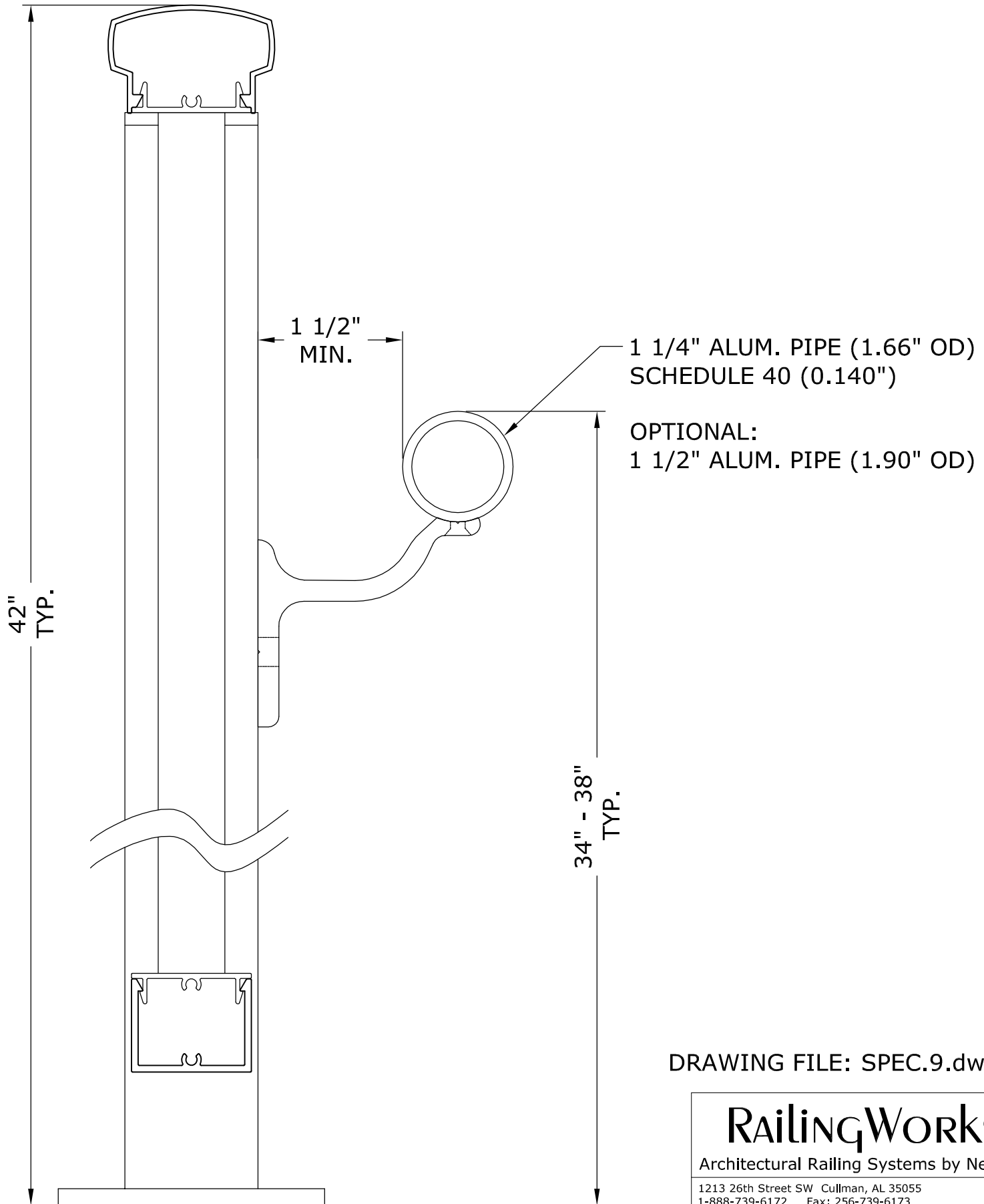
1213 26th Street SW Cullman, AL 35055

1-888-739-6172 Fax: 256-739-6173

Email: sales@nexaninc.com

Web: www.nexaninc.com

ANCHORING DETAILS GRAB RAIL



DRAWING FILE: SPEC.9.dwg

RailingWorks™

Architectural Railing Systems by Nexan

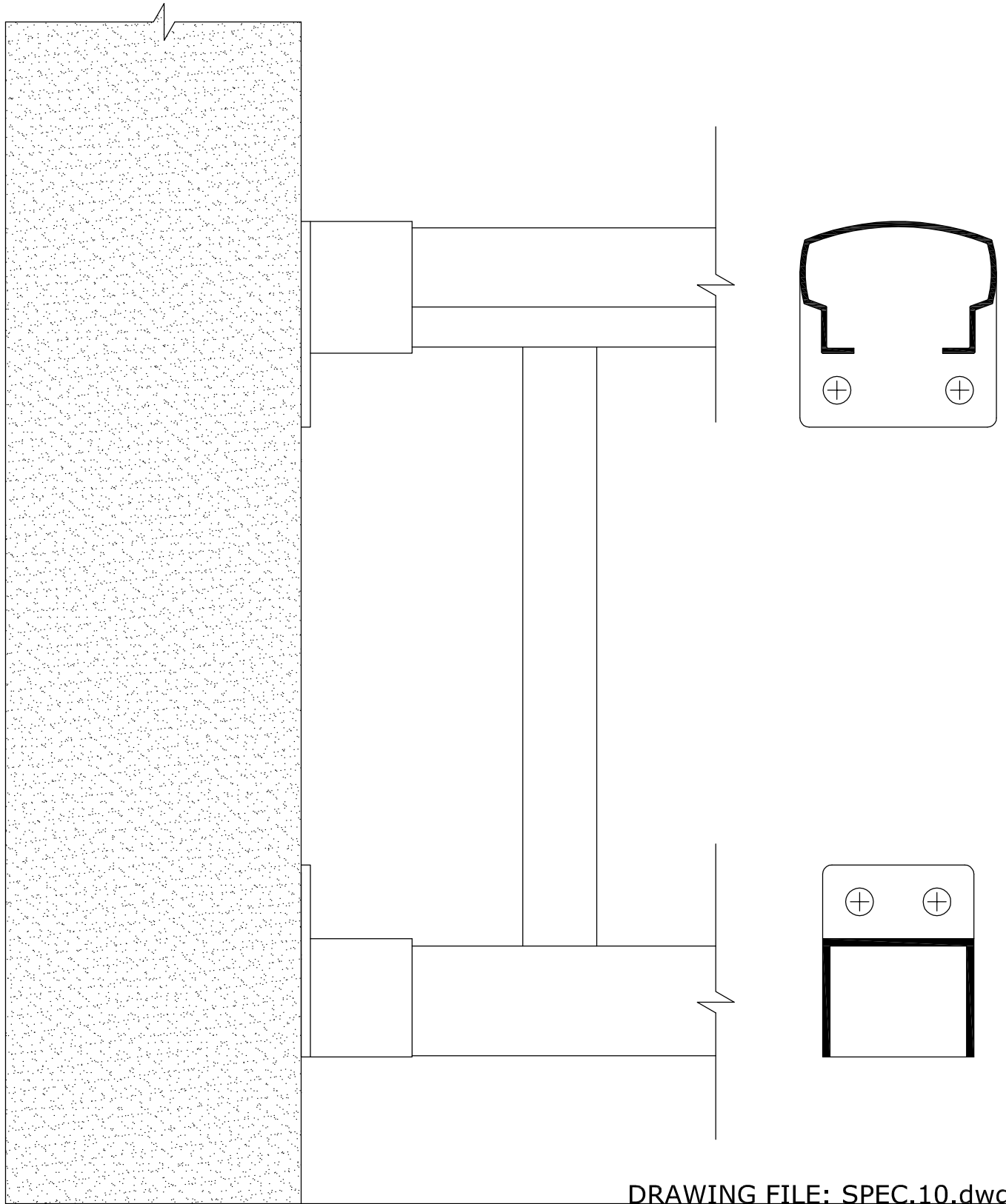
1213 26th Street SW Cullman, AL 35055

1-888-739-6172 Fax: 256-739-6173

Email: sales@nexaninc.com

Web: www.nexaninc.com

ANCHORING DETAILS WALL MOUNT



DRAWING FILE: SPEC.10.dwg

RailingWorks™

Architectural Railing Systems by Nexan

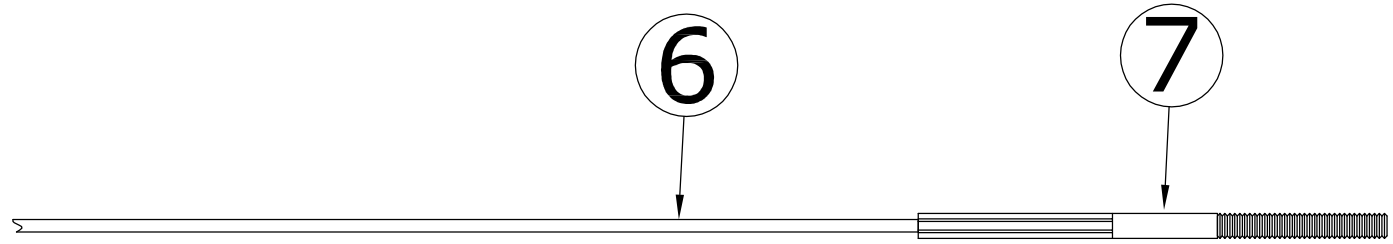
1213 26th Street SW Cullman, AL 35055

1-888-739-6172 Fax: 256-739-6173

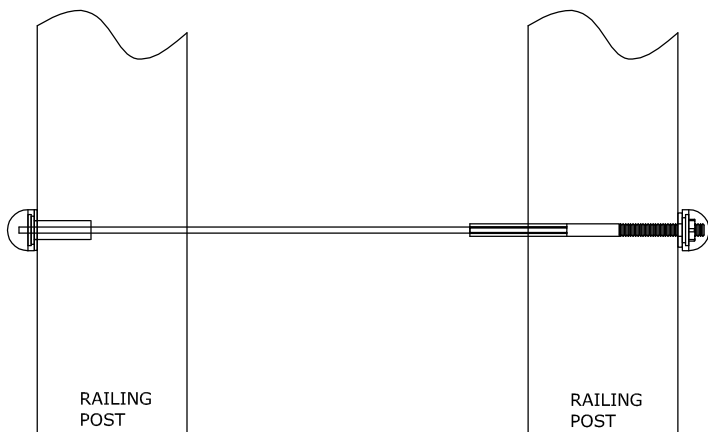
Email: sales@nexaninc.com

Web: www.nexaninc.com

CABLE DETAILS



1:	COLORED END CAP
2:	S.S. CABLE LOCK FITTING
3:	3/4" NYLON WASHER
4:	3/4" NYLON WASHER
5:	1/4" S.S. NUT
6:	1/8" S.S. CABLE ASSEMBLY
7:	1/4" S.S. THREADED TERMINAL



DRAWING FILE: SPEC.11.dwg

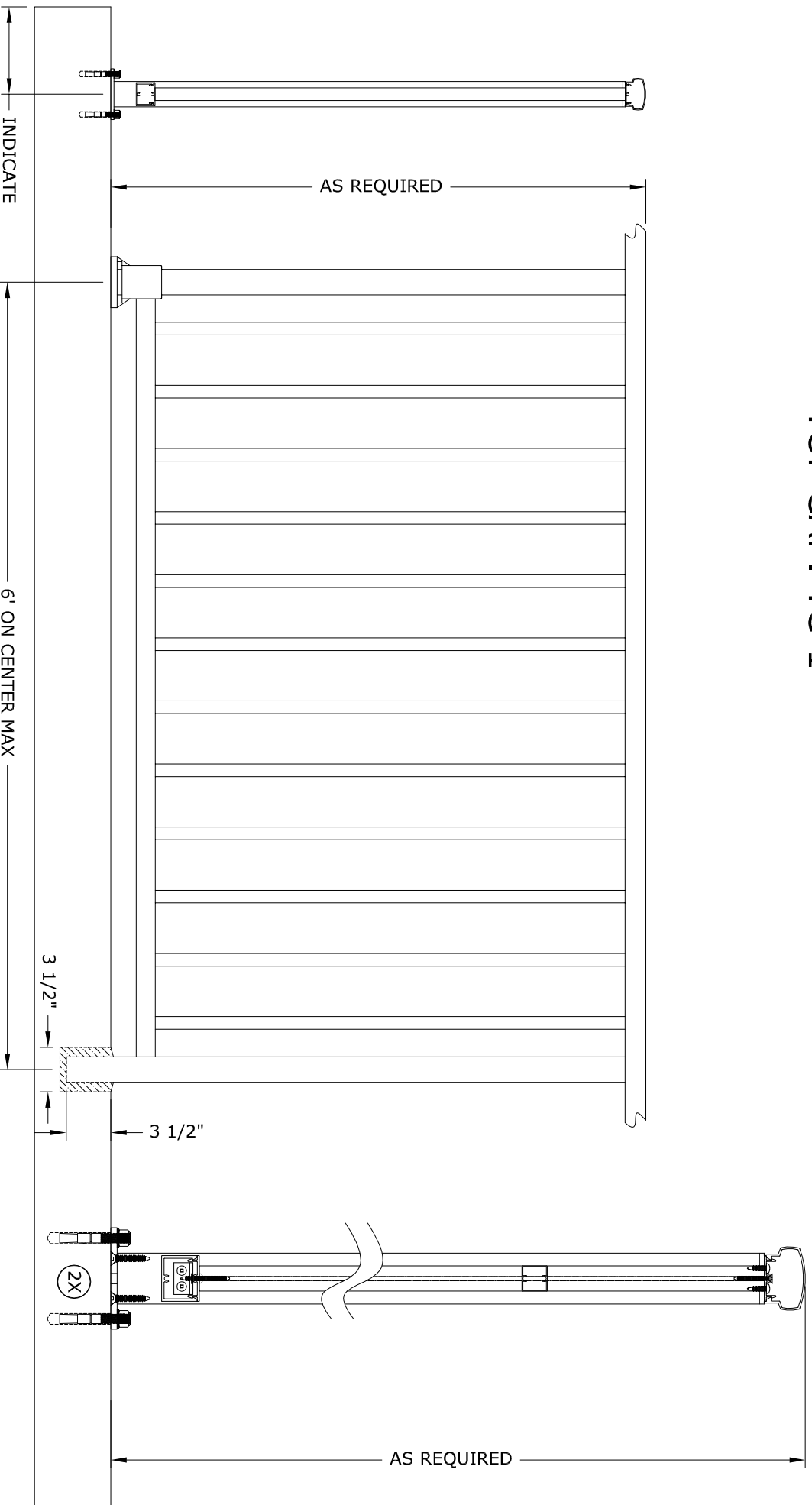
RailingWorks™
 Architectural Railing Systems by Nexan
 1213 26th Street SW Cullman, AL 35055
 1-888-739-6172 Fax: 256-739-6173
 Email: sales@nexaninc.com
 Web: www.nexaninc.com

ALUMINUM PICKET RAILING

STYLE: 2 LINE PICKET

POST: 2" SQ. X 1/8"

TOP CAP: TC-1



RailingWorks™

Architectural Railing Systems by Nexan

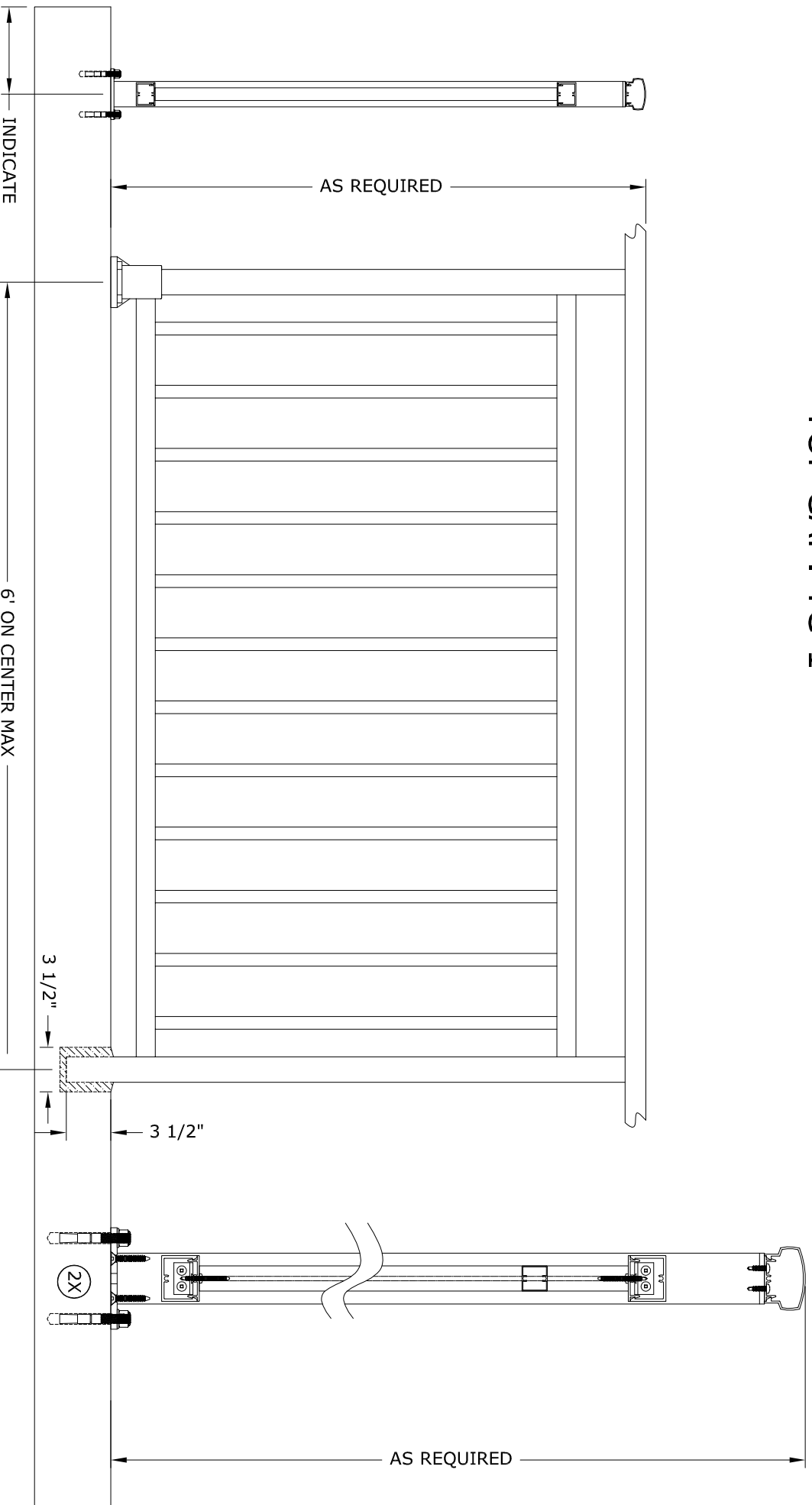
1213 26th Street SW, Cullman, AL 35055
1-888-739-6172 Fax: 256-739-6173
Email: sales@nexaninc.com
Web: www.nexaninc.com

ALUMINUM PICKET RAILING

STYLE: 3 LINE PICKET

POST: 2" SQ. X 1/8"

TOP CAP: TC-1



RailingWorks™

Architectural Railing Systems by Nexan

1213 26th Street SW, Cullman, AL 35055

1-888-739-6172 Fax: 256-739-6173

Email: sales@nexaninc.com

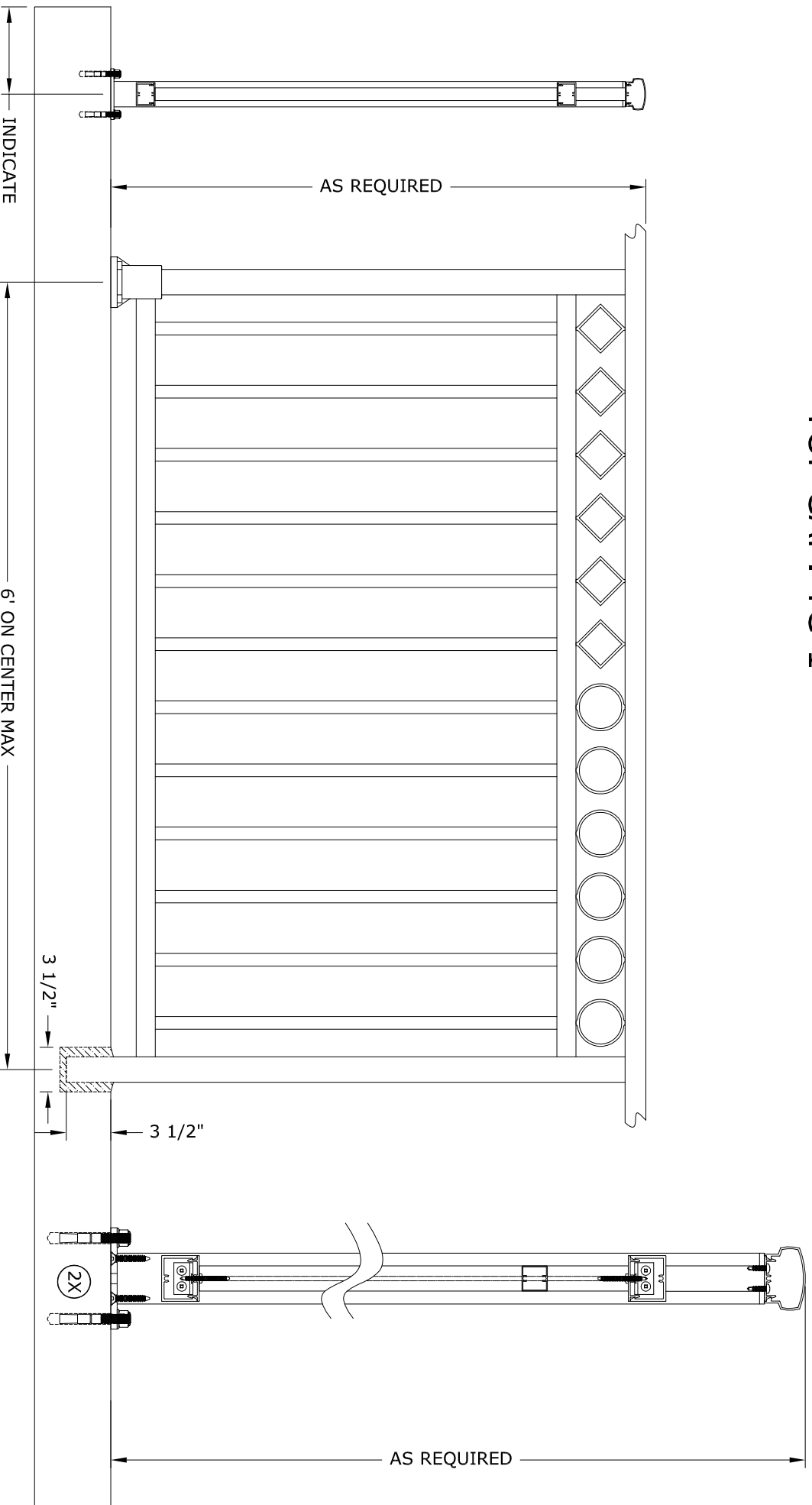
Web: www.nexaninc.com

ALUMINUM PICKET RAILING

STYLE: 3 LINE PICKET - CIRCLE OR DIAMOND

POST: 2" SQ. X 1/8"

TOP CAP: TC-1



RailingWorks™

Architectural Railing Systems by Nexan

1213 26th Street SW, Cullman, AL 35055
1-888-739-6172 Fax: 256-739-6173
Email: sales@nexaninc.com
Web: www.nexaninc.com

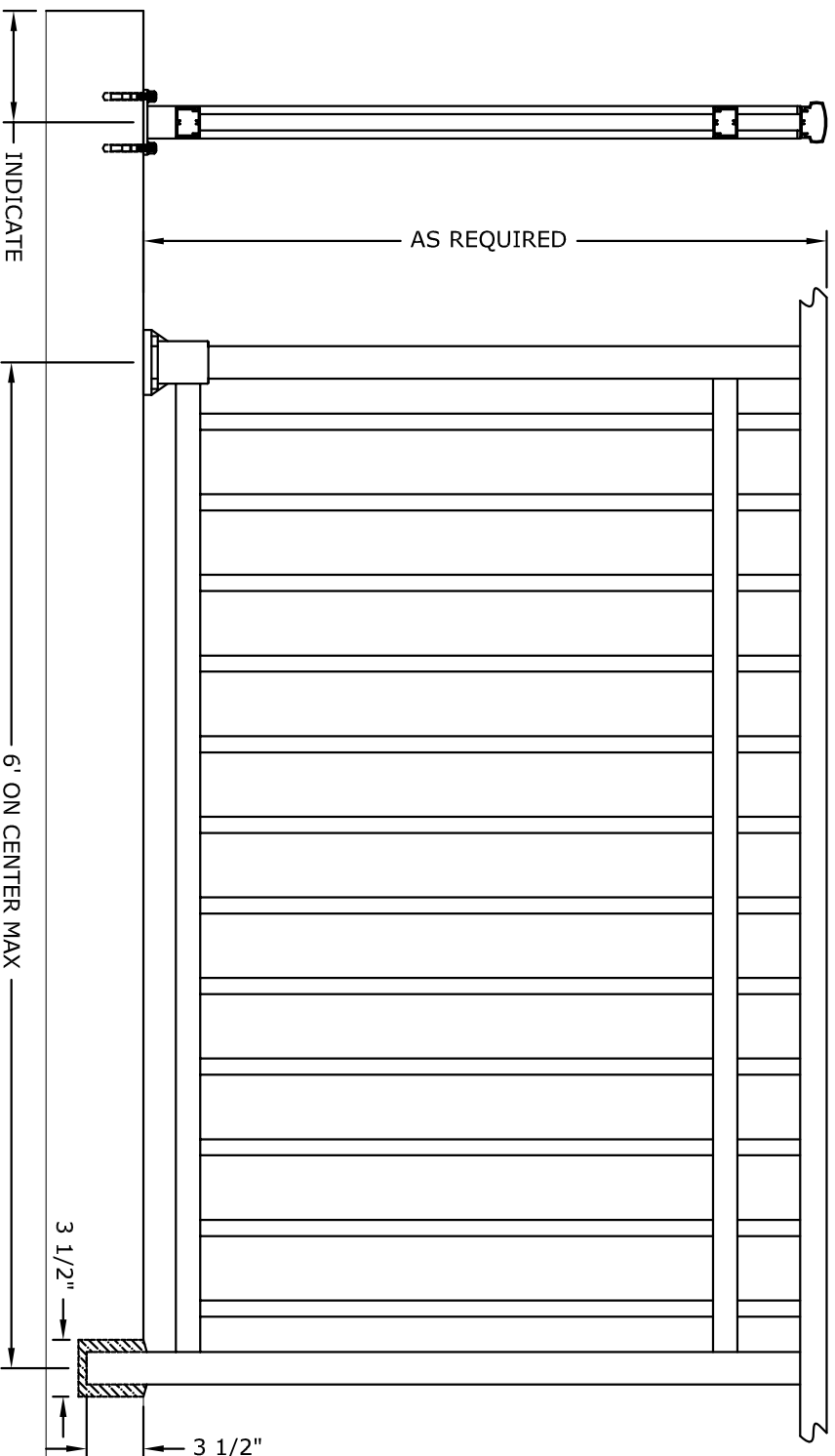
ALUMINUM PICKET RAILING

STYLE: 3 LINE PICKET

POST: 2" SQ. X 1/8"

TOP CAP: TC-1

PICKET: 1" SQUARE



RailingWorks™

Architectural Railing Systems by Nexan

1213 26th Street SW Cullman, AL 35055

1-888-739-6172 Fax: 256-739-6173

Email: sales@nexaninc.com

Web: www.nexaninc.com

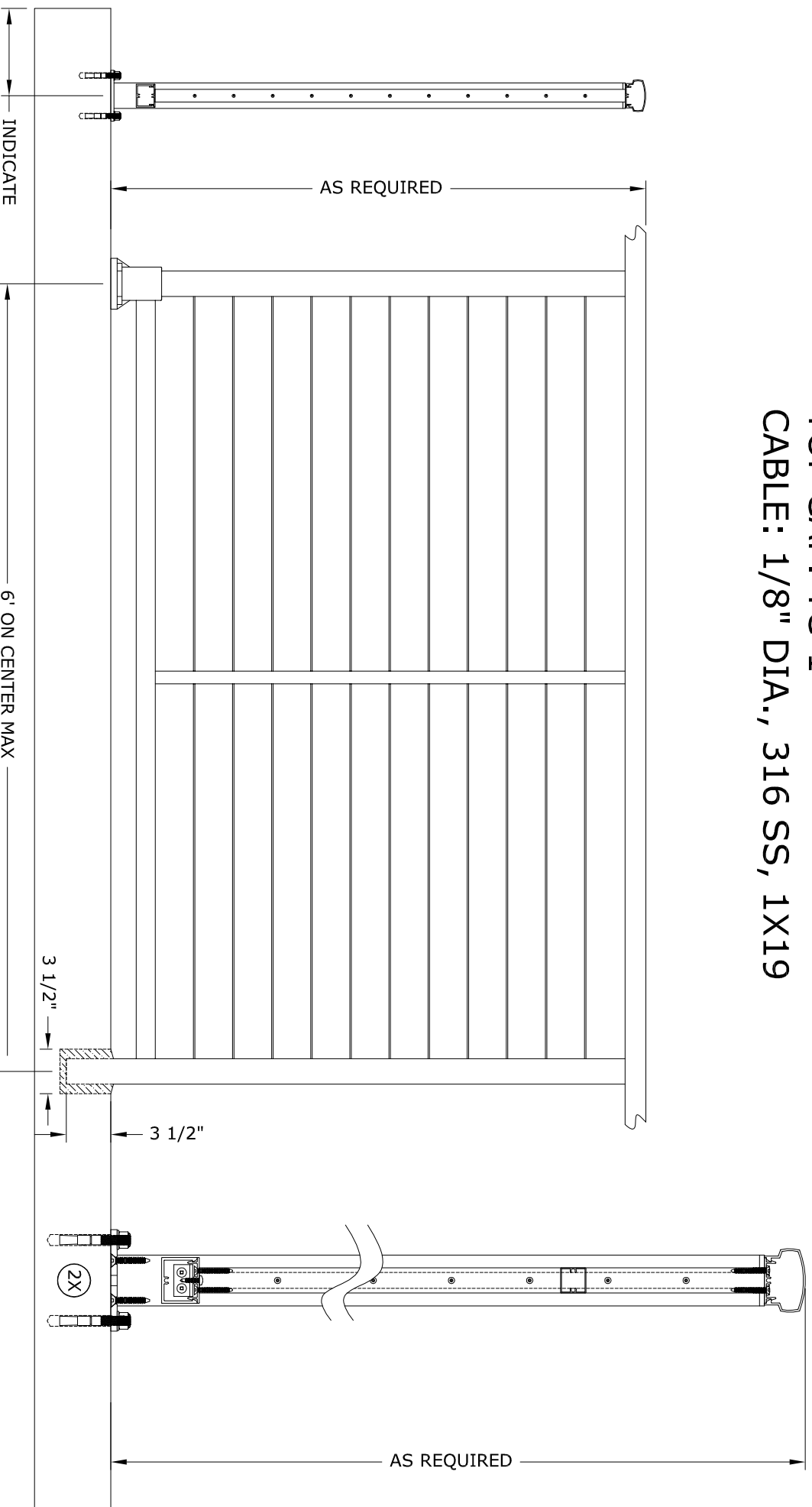
ALUMINUM CABLE RAILING

STYLE: 2 LINE PICKET

POST: 2" SQ. X 1/8"

TOP CAP: TC-1

CABLE: 1/8" DIA., 316 SS, 1X19



RailingWorks™

Architectural Railing Systems by Nexan

1213 26th Street SW, Cullman, AL 35055
1-888-739-6172 Fax: 256-739-6173
Email: sales@nexaninc.com
Web: www.nexaninc.com

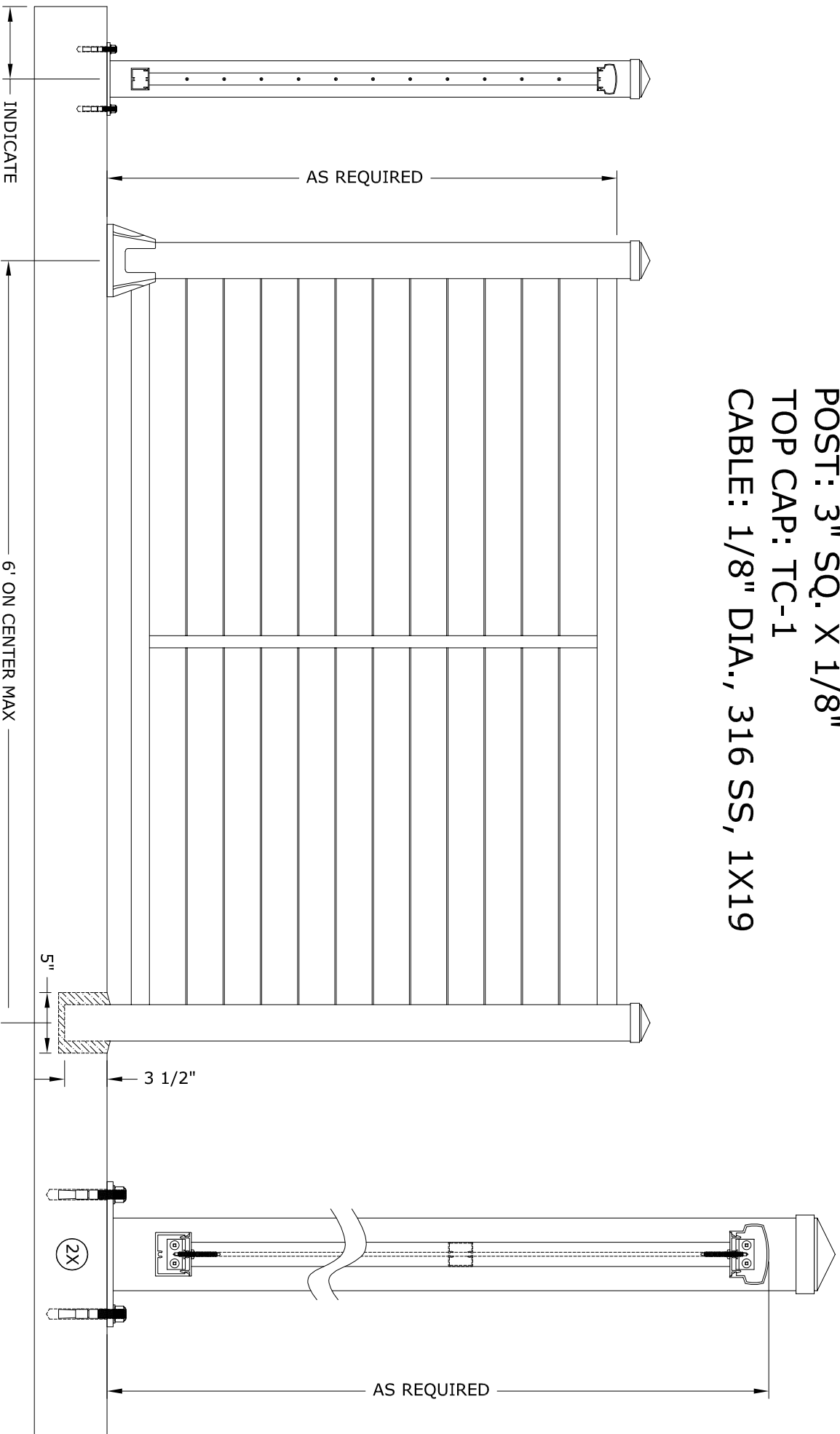
ALUMINUM CABLE RAILING

STYLE: 2 LINE PICKET

POST: 3" SQ. X 1/8"

TOP CAP: TC-1

CABLE: 1/8" DIA., 316 SS, 1X19



RailingWorks™

Architectural Railing Systems by Nexan

1213 26th Street SW, Cullman, AL 35055
1-888-739-6172 Fax: 256-739-6173
Email: sales@nexaninc.com
Web: www.nexaninc.com

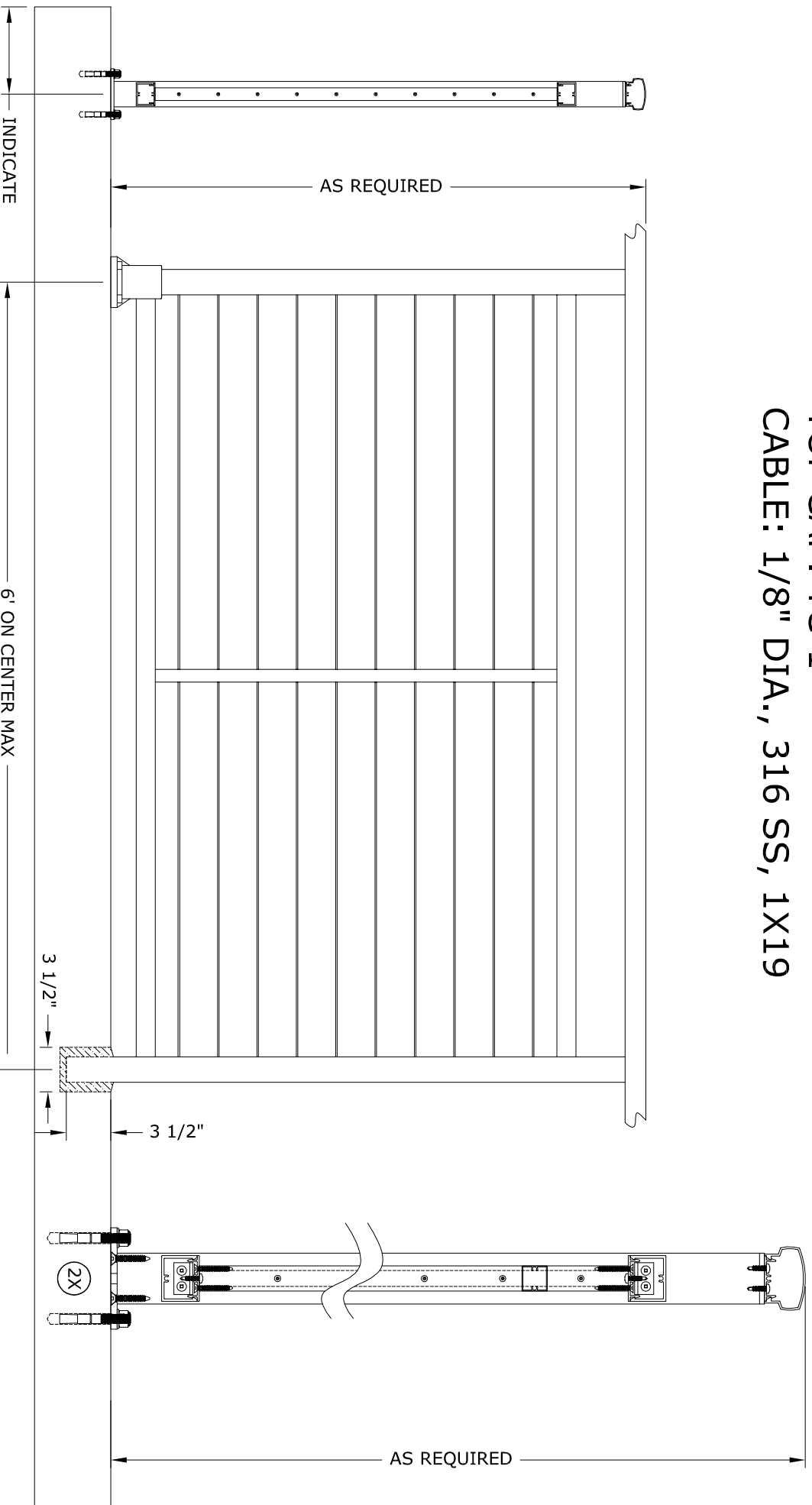
ALUMINUM CABLE RAILING

STYLE: 3 LINE PICKET

POST: 2" SQ. X 1/8"

TOP CAP: TC-1

CABLE: 1/8" DIA., 316 SS, 1X19



RailingWorks™

Architectural Railing Systems by Nexan

1213 26th Street SW Cullman, AL 35055

1-888-739-6172 Fax: 256-739-6173

Email: sales@nexaninc.com

Web: www.nexaninc.com

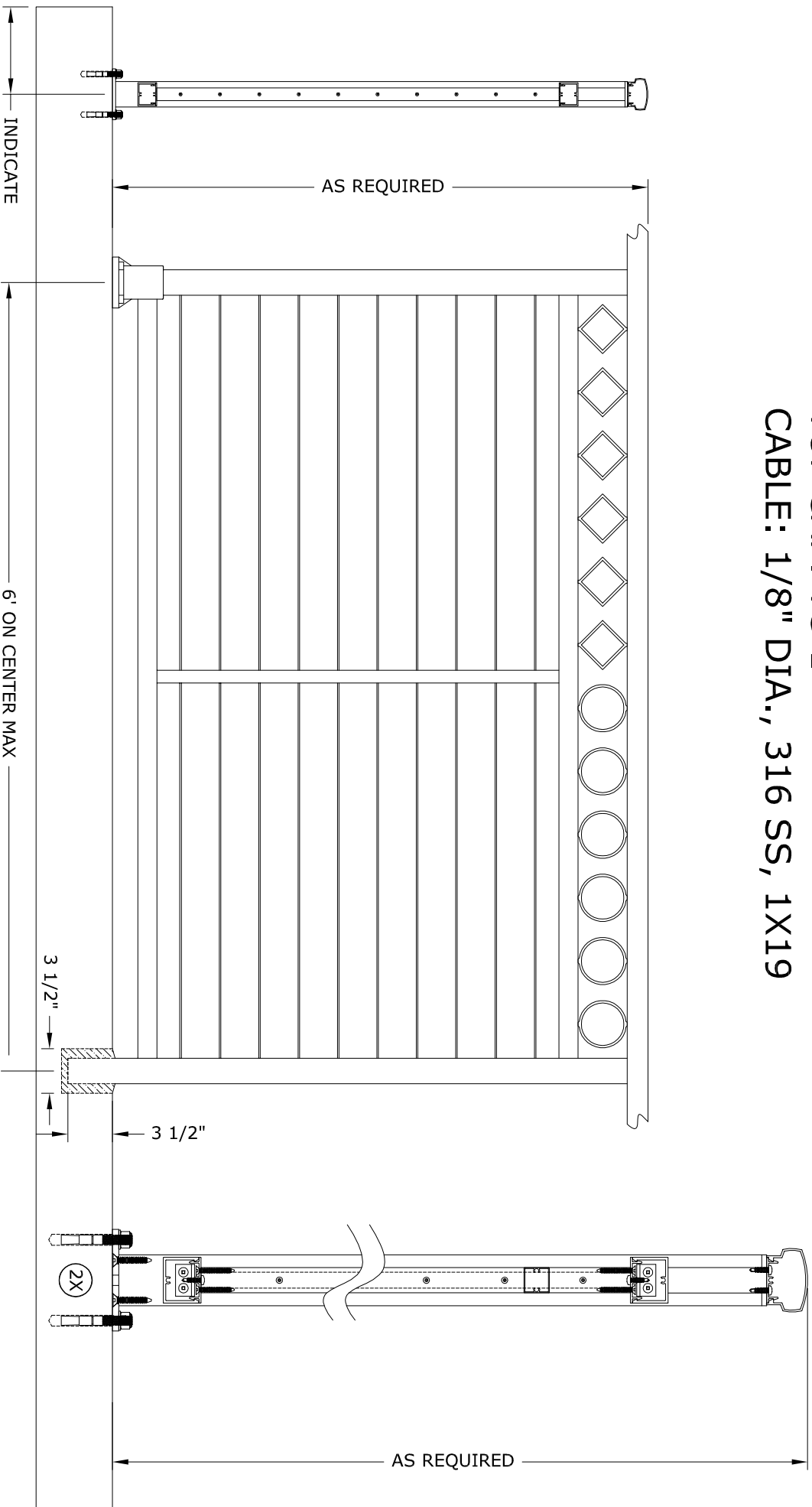
ALUMINUM CABLE RAILING

STYLE: 3 LINE PICKET - CIRCLE OR DIAMOND

POST: 2" SQ. X 1/8"

TOP CAP: TC-1

CABLE: 1/8" DIA., 316 SS, 1X19



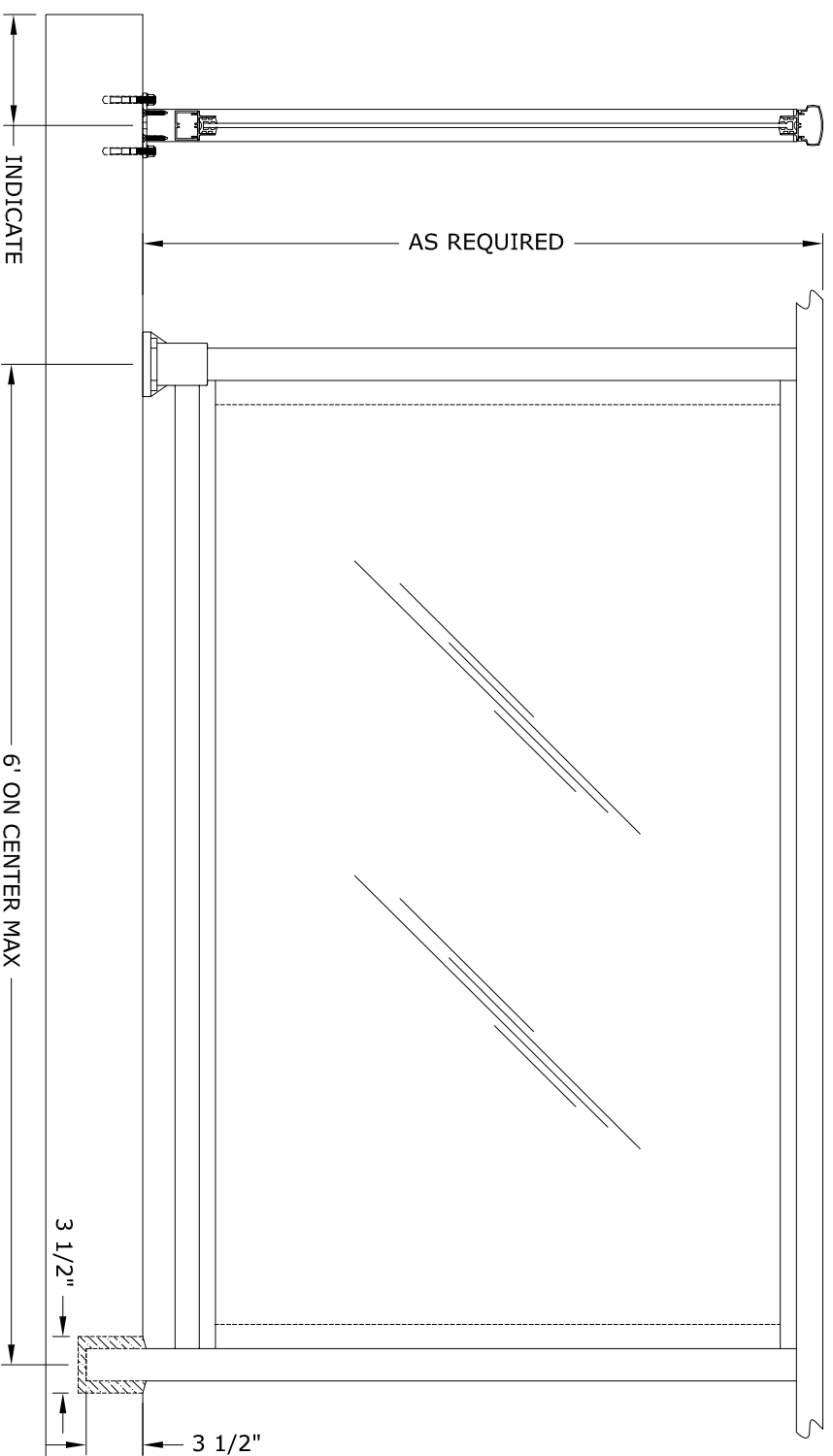
RailingWorks™

Architectural Railing Systems by Nexan

1213 26th Street SW Cullman, AL 35055
1-888-739-6172 Fax: 256-739-6173
Email: sales@nexaninc.com
Web: www.nexaninc.com

DRAWING FILE: C3CD.2.TC1.dwg

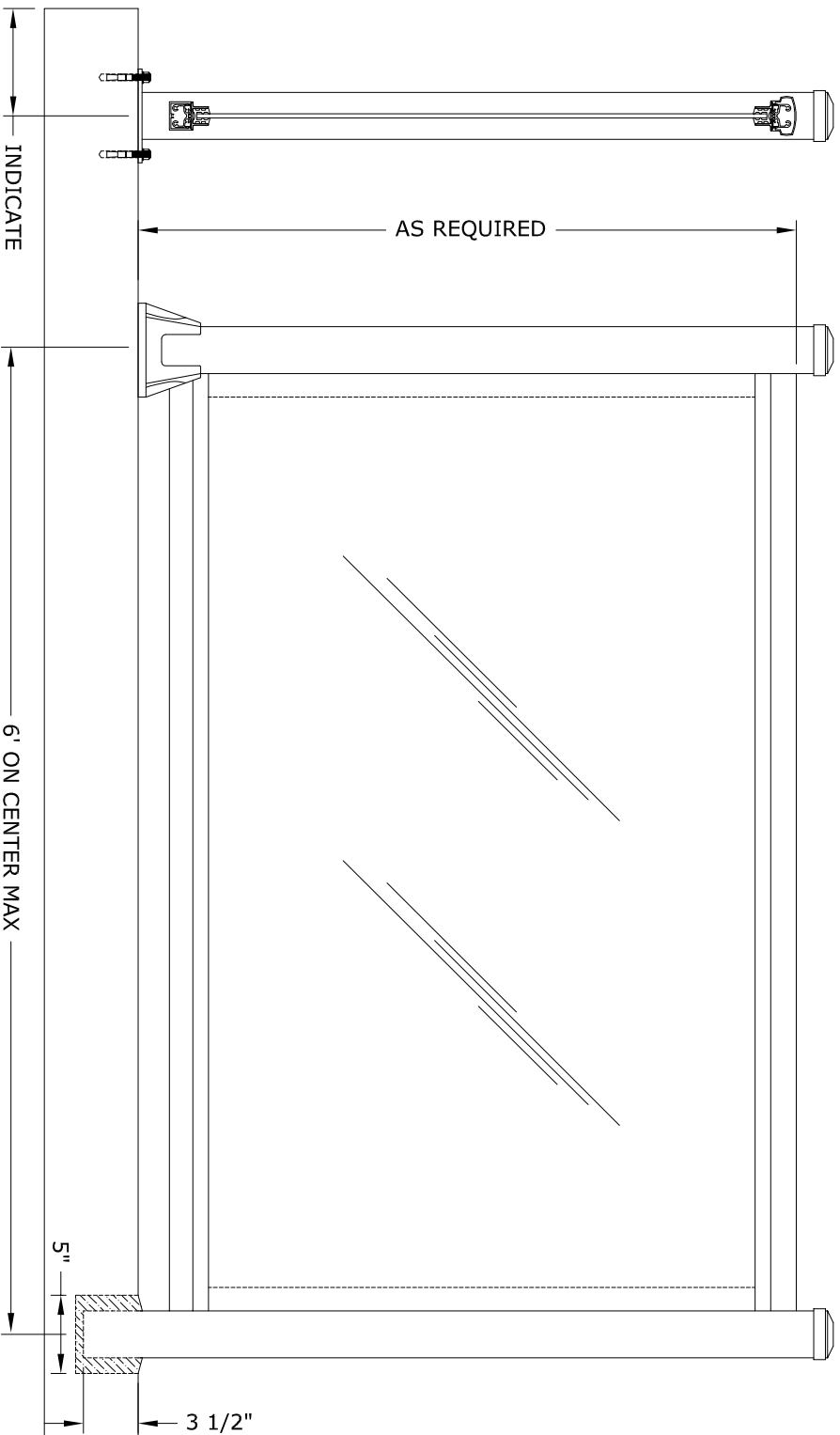
ALUMINUM FRAMELESS GLASS RAILING
STYLE: 2 LINE FRAMELESS GLASS
POST: 2" SQ. X 1/8"
TOP CAP: TC-1
GLASS: 1/4" TEMPERED



RailingWorks™
Architectural Railing Systems by Nexan

1213 26th Street SW, Cullman, AL 35055
1-888-739-6172 Fax: 256-739-6173
Email: sales@nexaninc.com
Web: www.nexaninc.com

ALUMINUM FRAMELESS GLASS RAILING
STYLE: 2 LINE FRAMELESS GLASS
POST: 3" SQ. X 1/8"
TOP CAP: TC-1
GLASS: 1/4" TEMPERED



RailingWorks™
Architectural Railing Systems by Nexan

1213 26th Street SW Cullman, AL 35055
1-888-739-6172 Fax: 256-739-6173
Email: sales@nexaninc.com
Web: www.nexaninc.com

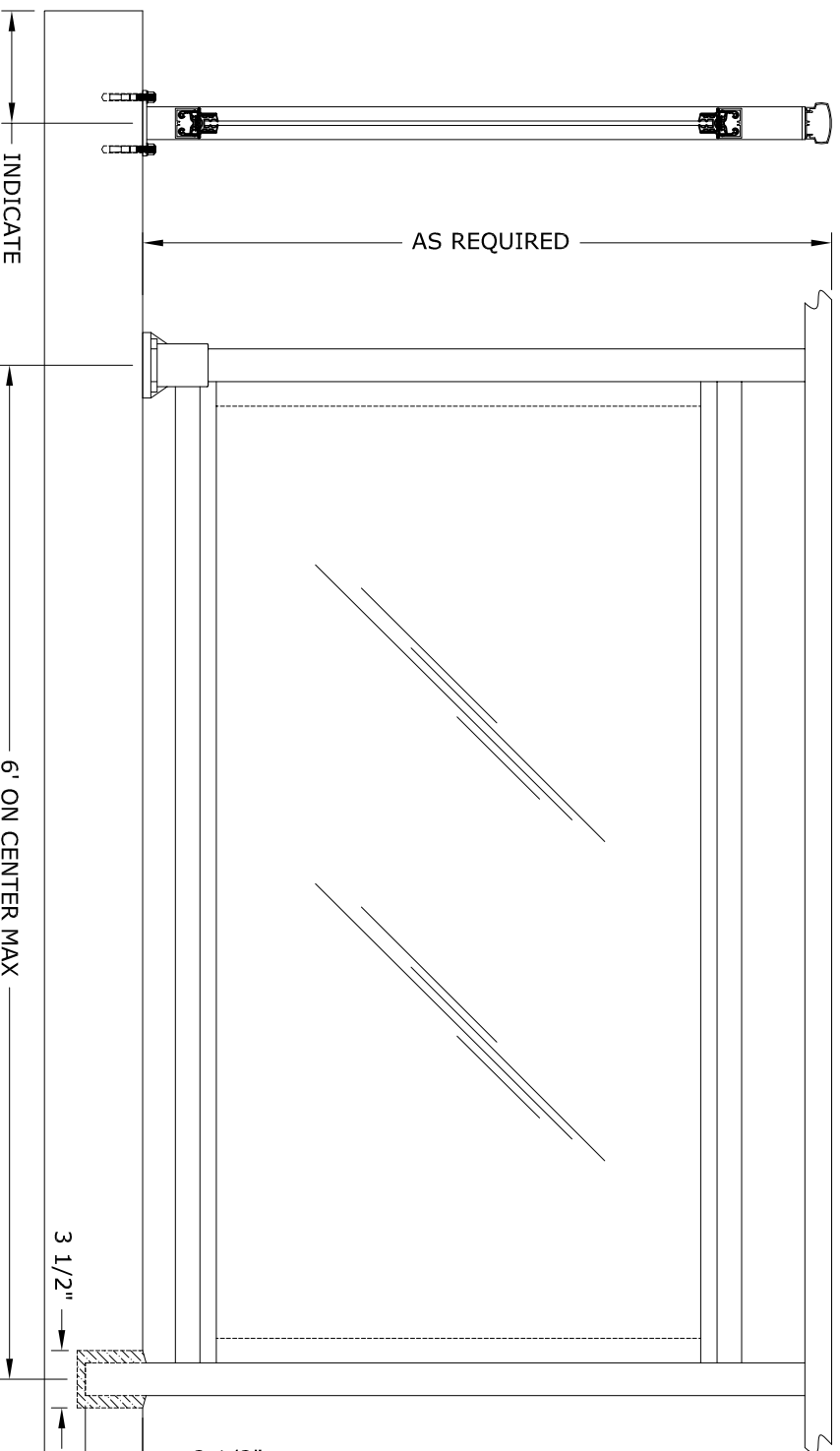
ALUMINUM FRAMELESS GLASS RAILING

STYLE: 3 LINE FRAMELESS GLASS

POST: 2" SQ. X 1/8"

TOP CAP: TC-1

GLASS: 1/4" TEMPERED



RailingWorks™

Architectural Railing Systems by Nexan

1213 26th Street SW Cullman, AL 35055

1-888-739-6172 Fax: 256-739-6173

Email: sales@nexaninc.com

Web: www.nexaninc.com

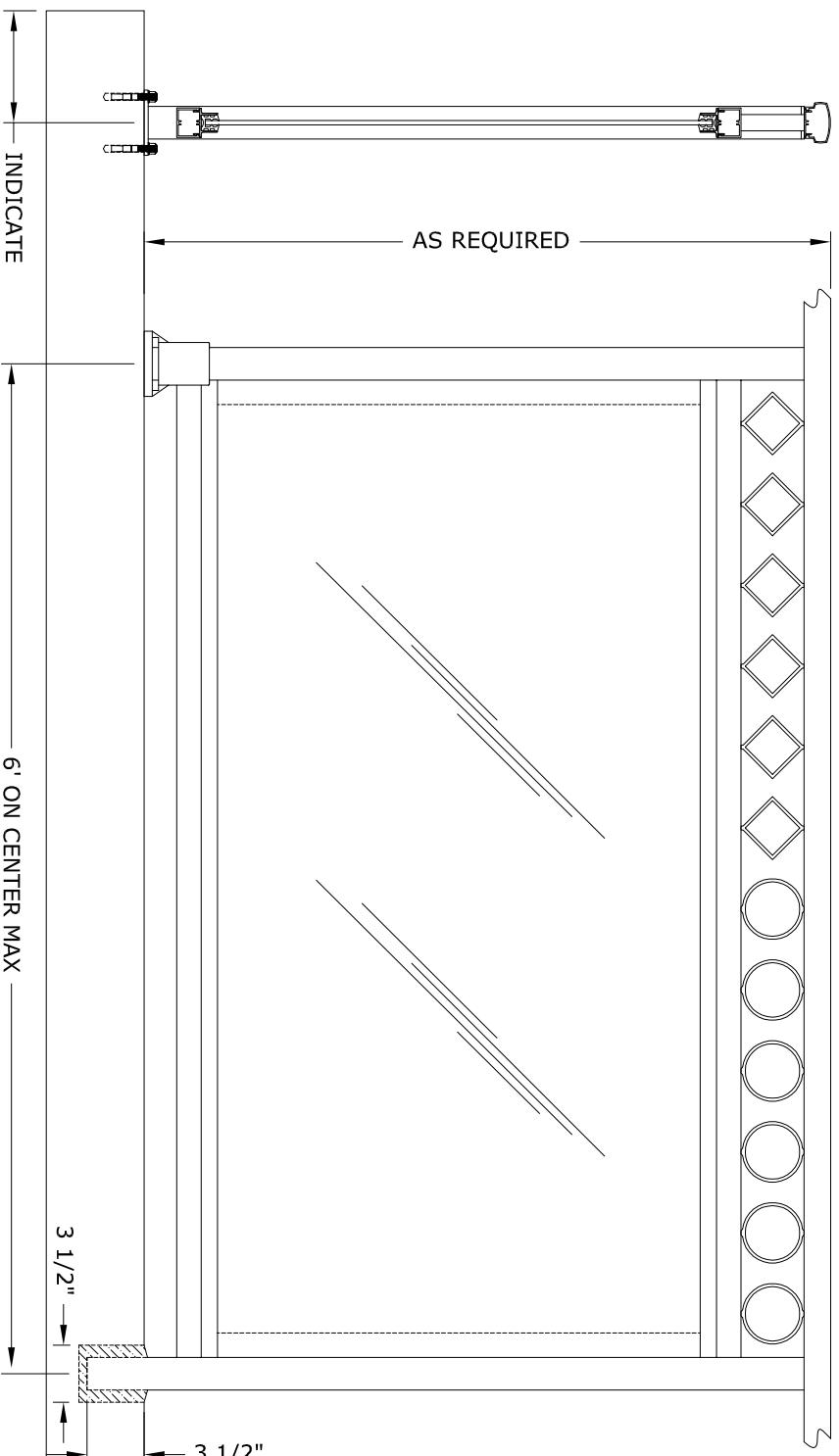
ALUMINUM GLASS RAILING

STYLE: 3 LINE FRAMELESS GLASS - CIRCLE OR DIAMOND

POST: 2" SQ. X 1/8"

TOP CAP: TC-1

GLASS: 1/4" TEMPERED



RailingWorks™

Architectural Railing Systems by Nexan

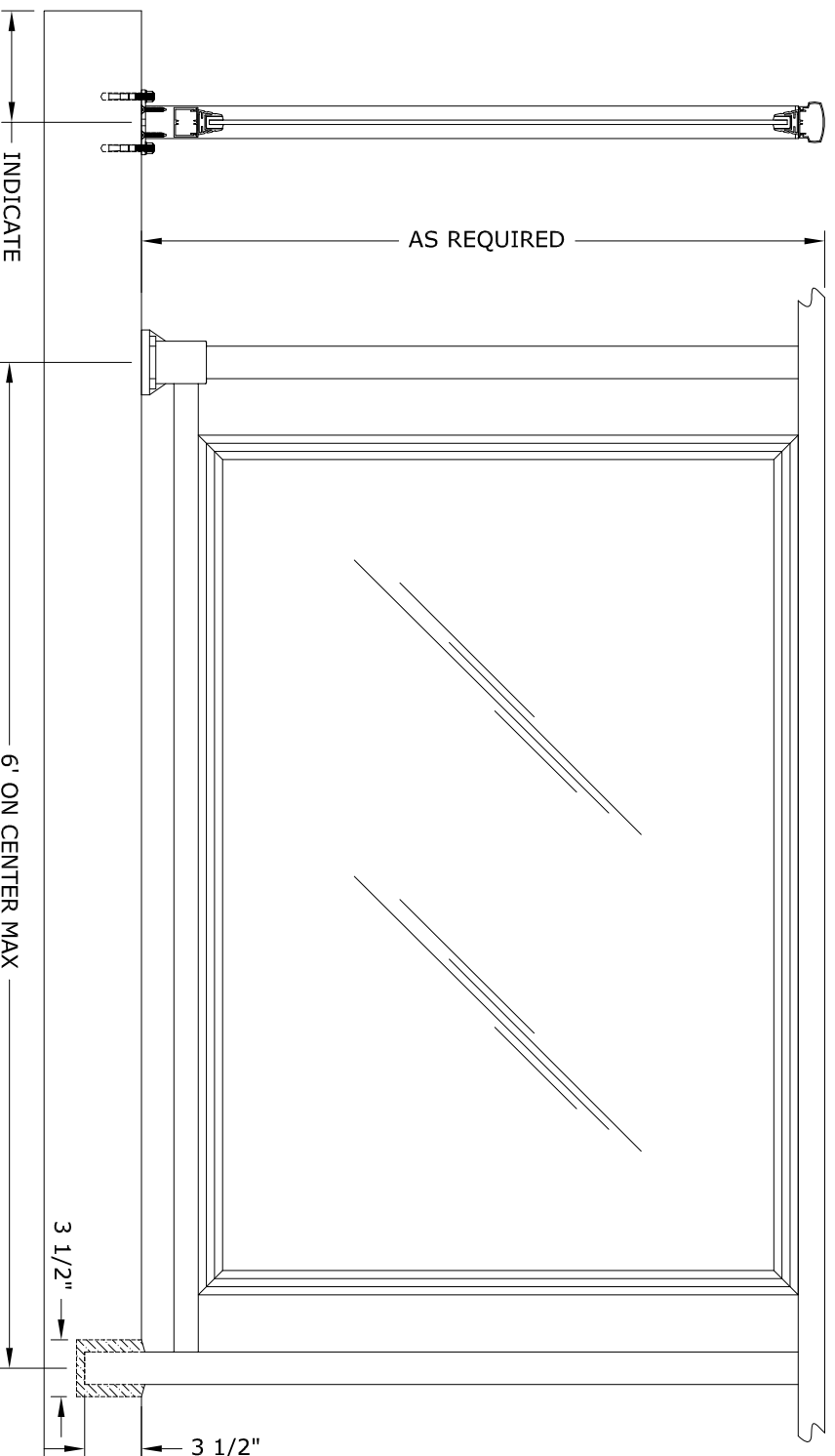
1213 26th Street SW, Cullman, AL 35055

1-888-739-6172 Fax: 256-739-6173

Email: sales@nexaninc.com

Web: www.nexaninc.com

ALUMINUM GLASS RAILING
STYLE: 2 LINE FRAMED GLASS
POST: 2" SQ. X 1/8"
TOP CAP: TC-1
GLASS: 1/4" TEMPERED

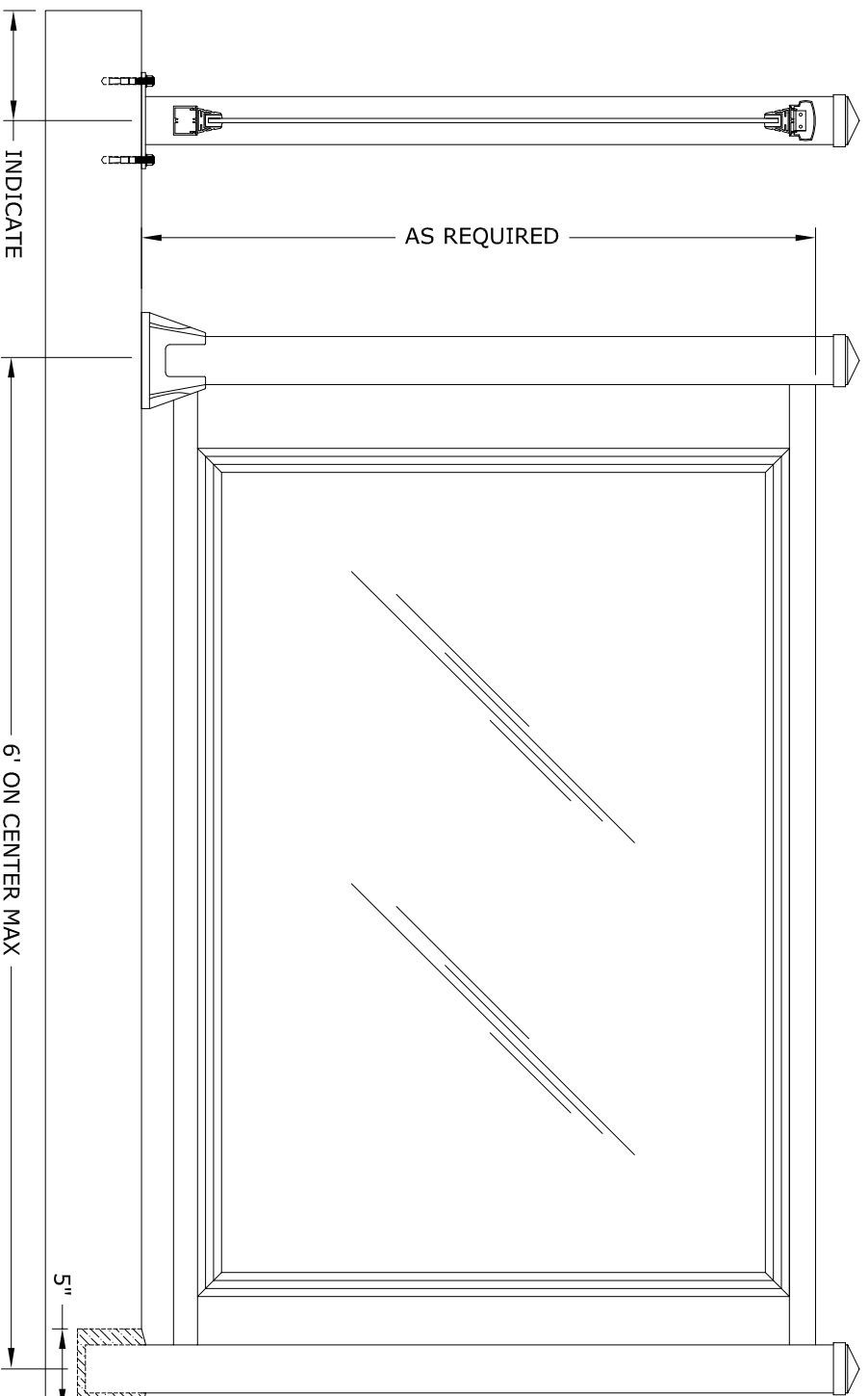


RailingWorks™

Architectural Railing Systems by Nexan

1213 26th Street SW Cullman, AL 35055
1-888-739-6172 Fax: 256-739-6173
Email: sales@nexaninc.com
Web: www.nexaninc.com

ALUMINUM GLASS RAILING
STYLE: 2 LINE FRAMED GLASS
POST: 3" SQ. X 1/8"
TOP CAP: TC-1
GLASS: 1/4" TEMPERED

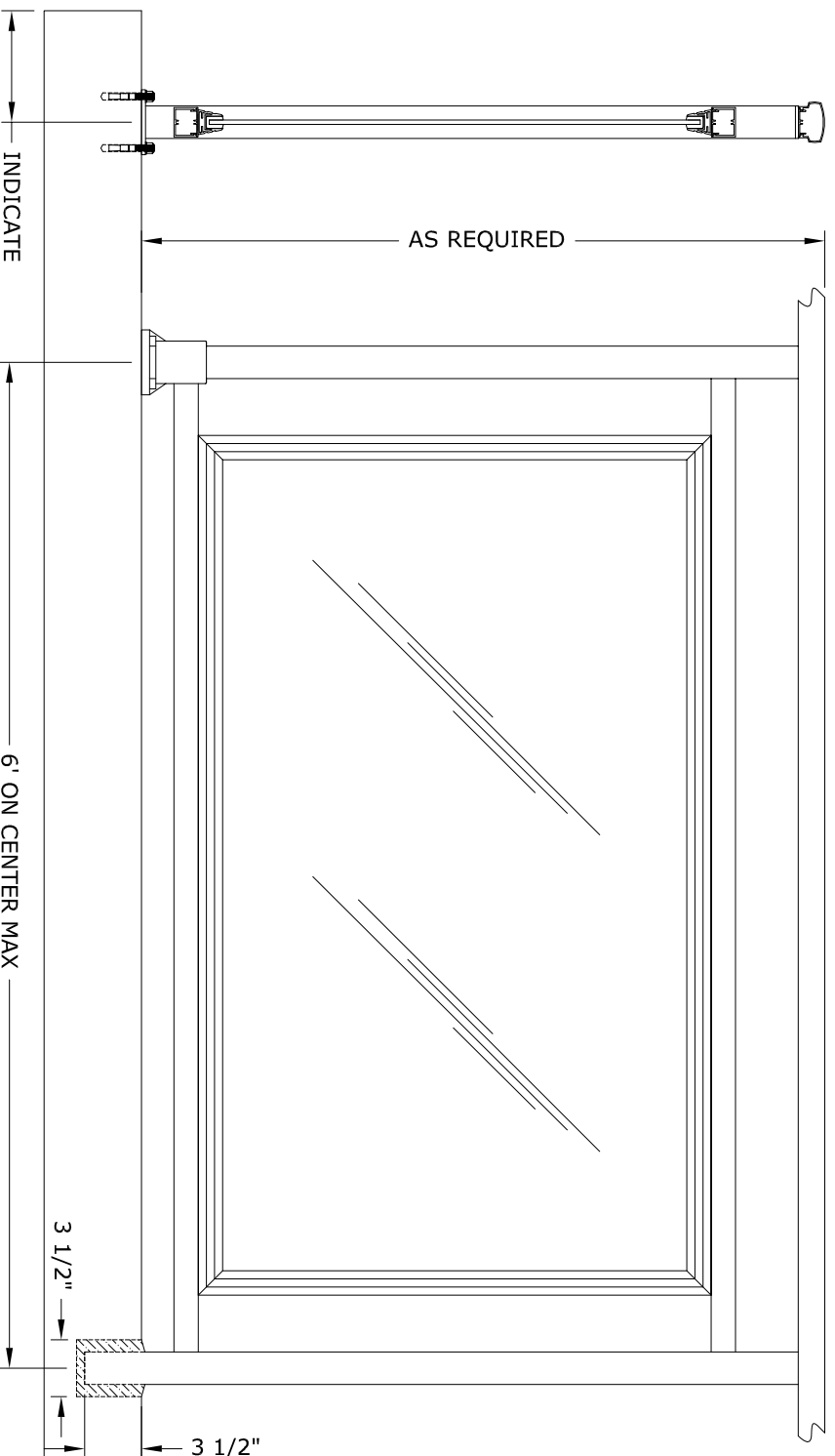


RailingWorks™

Architectural Railing Systems by Nexan

1213 26th Street SW, Cullman, AL 35055
1-888-739-6172 Fax: 256-739-6173
Email: sales@nexaninc.com
Web: www.nexaninc.com

ALUMINUM GLASS RAILING
STYLE: 3 LINE FRAMED GLASS
POST: 2" SQ. X 1/8"
TOP CAP: TC-1
GLASS: 1/4" TEMPERED



RailingWorks™

Architectural Railing Systems by Nexan

1213 26th Street SW Cullman, AL 35055
1-888-739-6172 Fax: 256-739-6173
Email: sales@nexaninc.com
Web: www.nexaninc.com

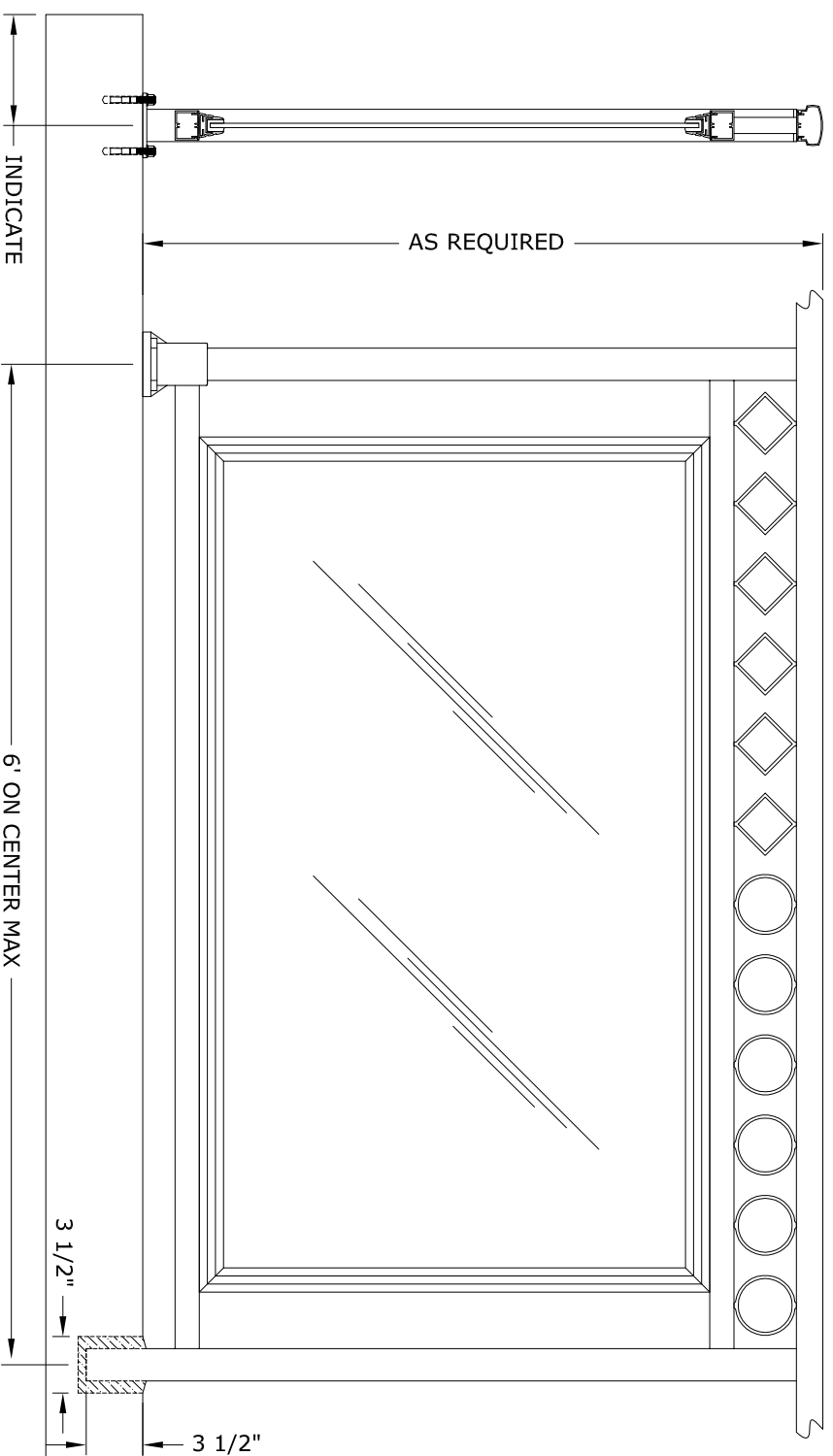
ALUMINUM GLASS RAILING

STYLE: 3 LINE FRAMED GLASS - CIRCLE OR DIAMOND

POST: 2" SQ. X 1/8"

TOP CAP: TC-1

GLASS: 1/4" TEMPERED



RailingWorks™

Architectural Railing Systems by Nexan

1213 26th Street SW Cullman, AL 35055
1-888-739-6172 Fax: 256-739-6173
Email: sales@nexaninc.com
Web: www.nexaninc.com

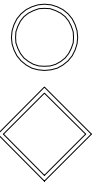
ALUMINUM PANEL RAILING

STYLE: 2 LINE PICKET

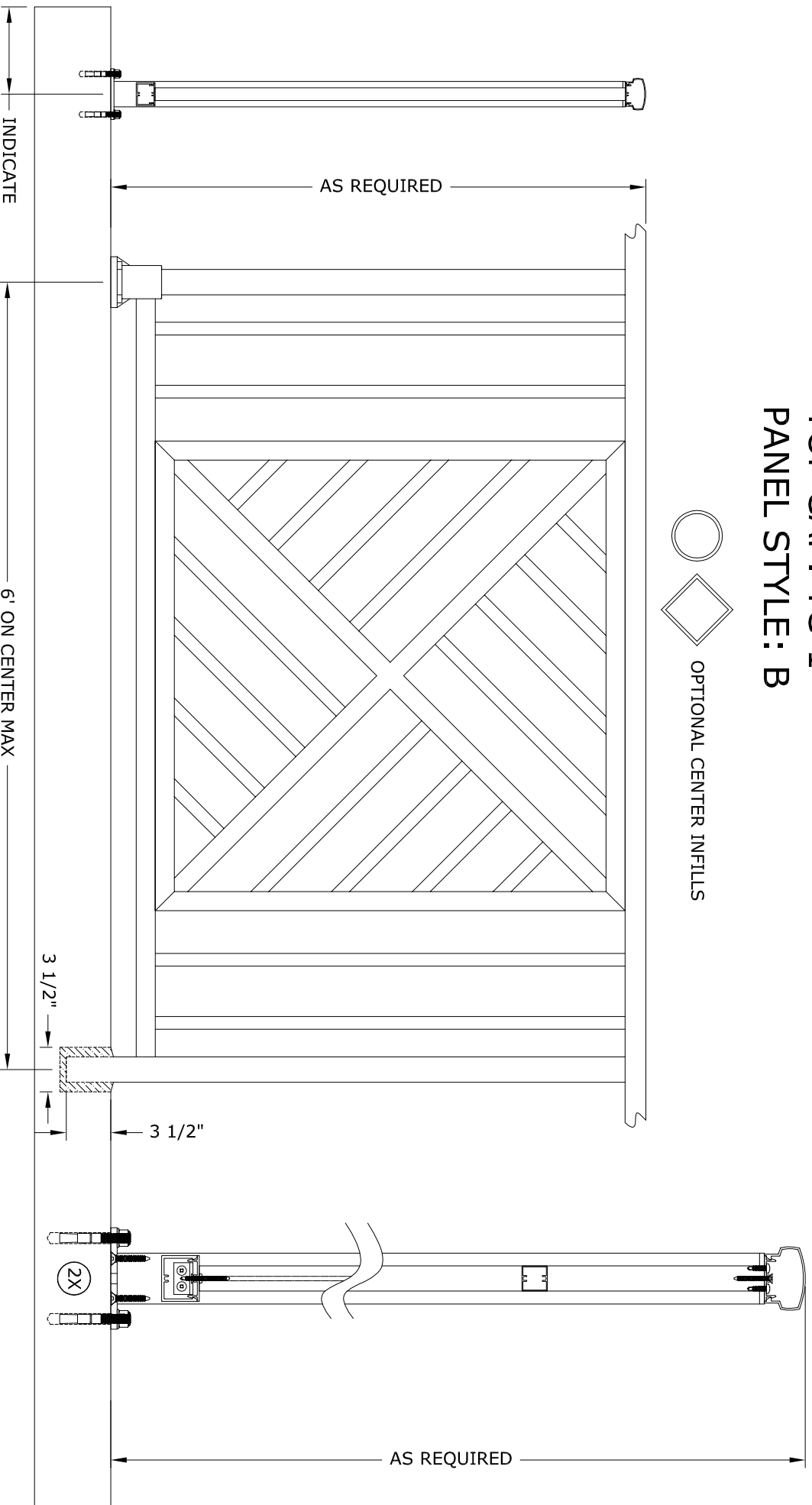
POST: 2" SQ. X 1/8"

TOP CAP: TC-1

PANEL STYLE: B



OPTIONAL CENTER INFILLS



RailingWorks™

Architectural Railing Systems by Nexan

1213 26th Street SW Cullman, AL 35055

1-888-739-6172 Fax: 256-739-6173

Email: sales@nexaninc.com

Web: www.nexaninc.com

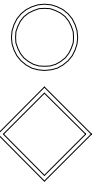
ALUMINUM PANEL RAILING

STYLE: 2 LINE PICKET

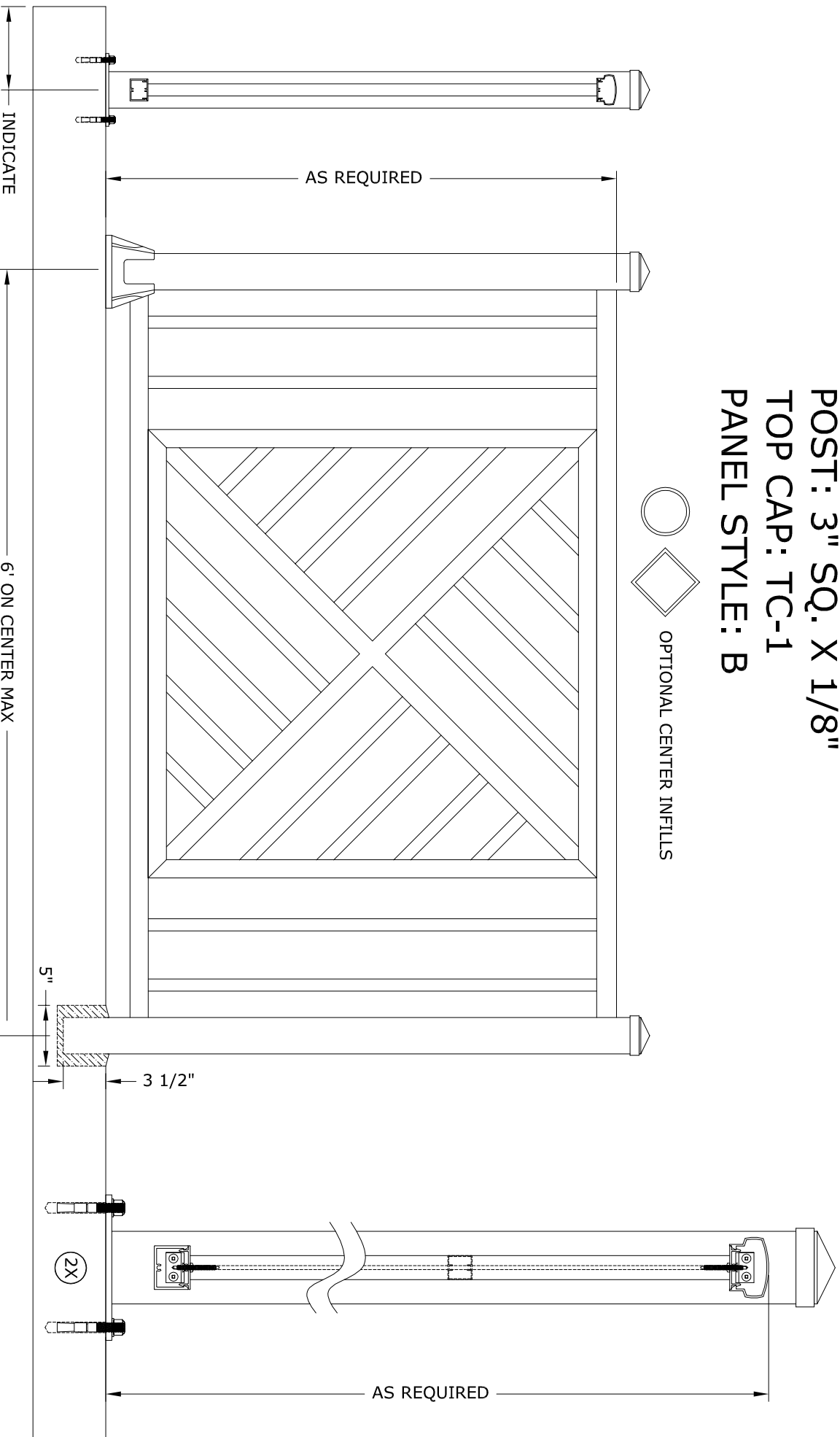
POST: 3" SQ. X 1/8"

TOP CAP: TC-1

PANEL STYLE: B



OPTIONAL CENTER INFILLS



RailingWorks™

Architectural Railing Systems by Nexan

1213 26th Street SW, Cullman, AL 35055

1-888-739-6172 Fax: 256-739-6173

Email: sales@nexaninc.com

Web: www.nexaninc.com

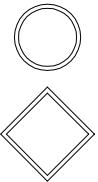
ALUMINUM PANEL RAILING

STYLE: 3 LINE PICKET

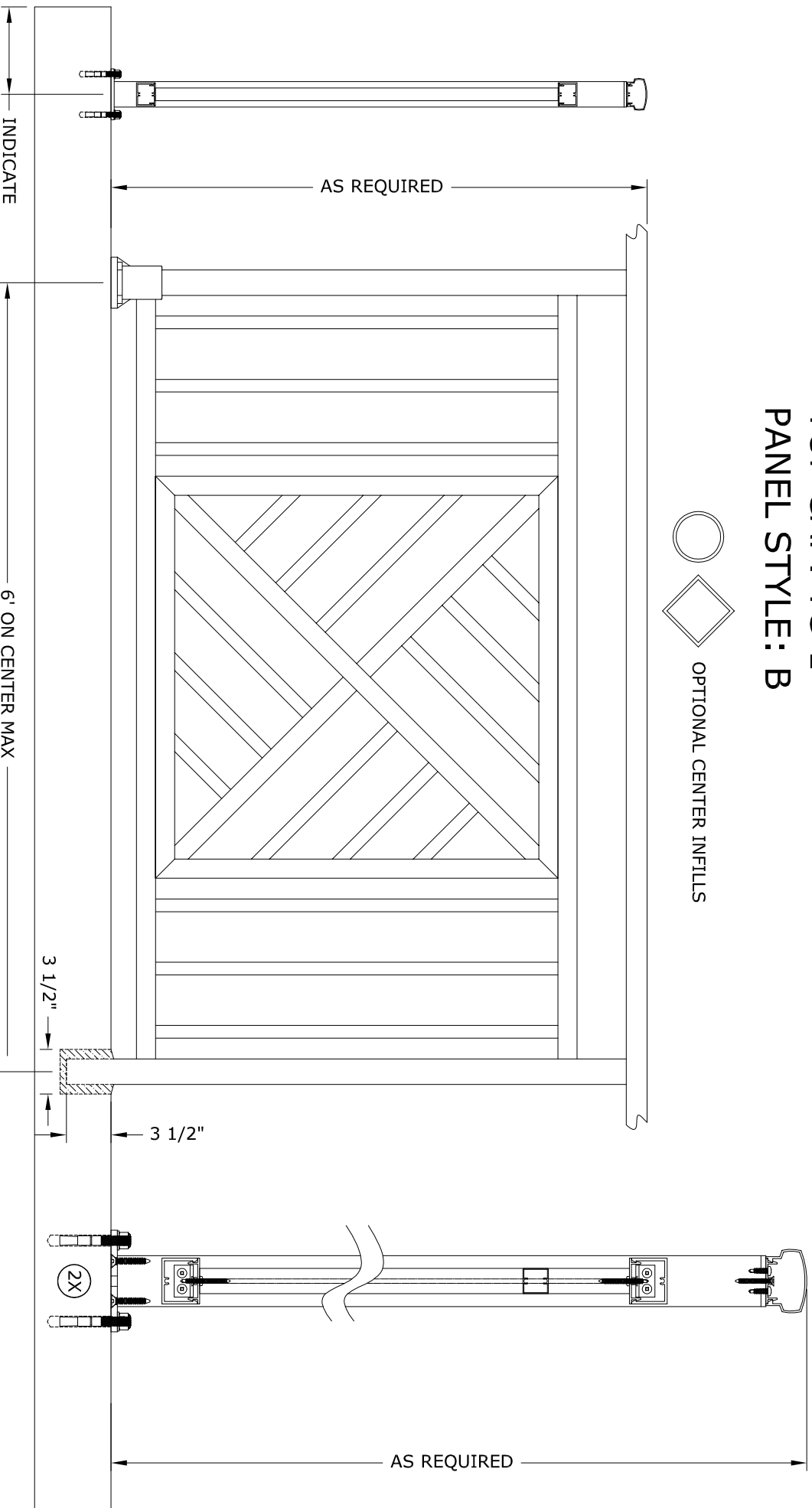
POST: 2" SQ. X 1/8"

TOP CAP: TC-1

PANEL STYLE: B



OPTIONAL CENTER INFILLS



RailingWorks™

Architectural Railing Systems by Nexan

1213 26th Street SW, Cullman, AL 35055

1-888-739-6172 Fax: 256-739-6173

Email: sales@nexaninc.com

Web: www.nexaninc.com

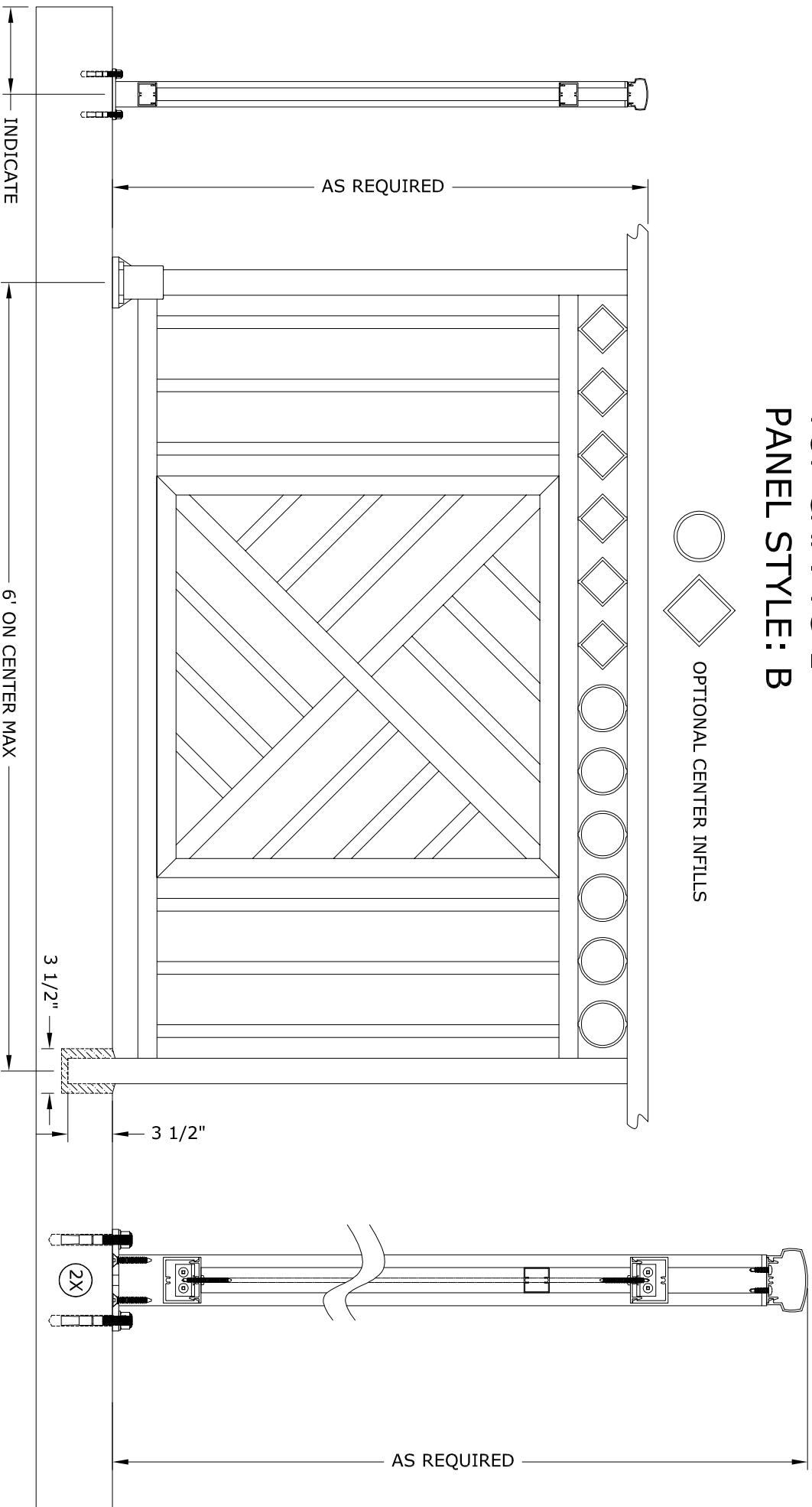
ALUMINUM PANEL RAILING

STYLE: 3 LINE PICKET - CIRCLE OR DIAMOND

POST: 2" SQ. X 1/8"

TOP CAP: TC-1

PANEL STYLE: B



RailingWorks™

Architectural Railing Systems by Nexan

1213 26th Street SW Cullman, AL 35055
1-888-739-6172 Fax: 256-739-6173
Email: sales@nexaninc.com
Web: www.nexaninc.com

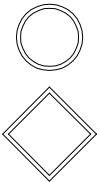
ALUMINUM PANEL RAILING

STYLE: 2 LINE PICKET

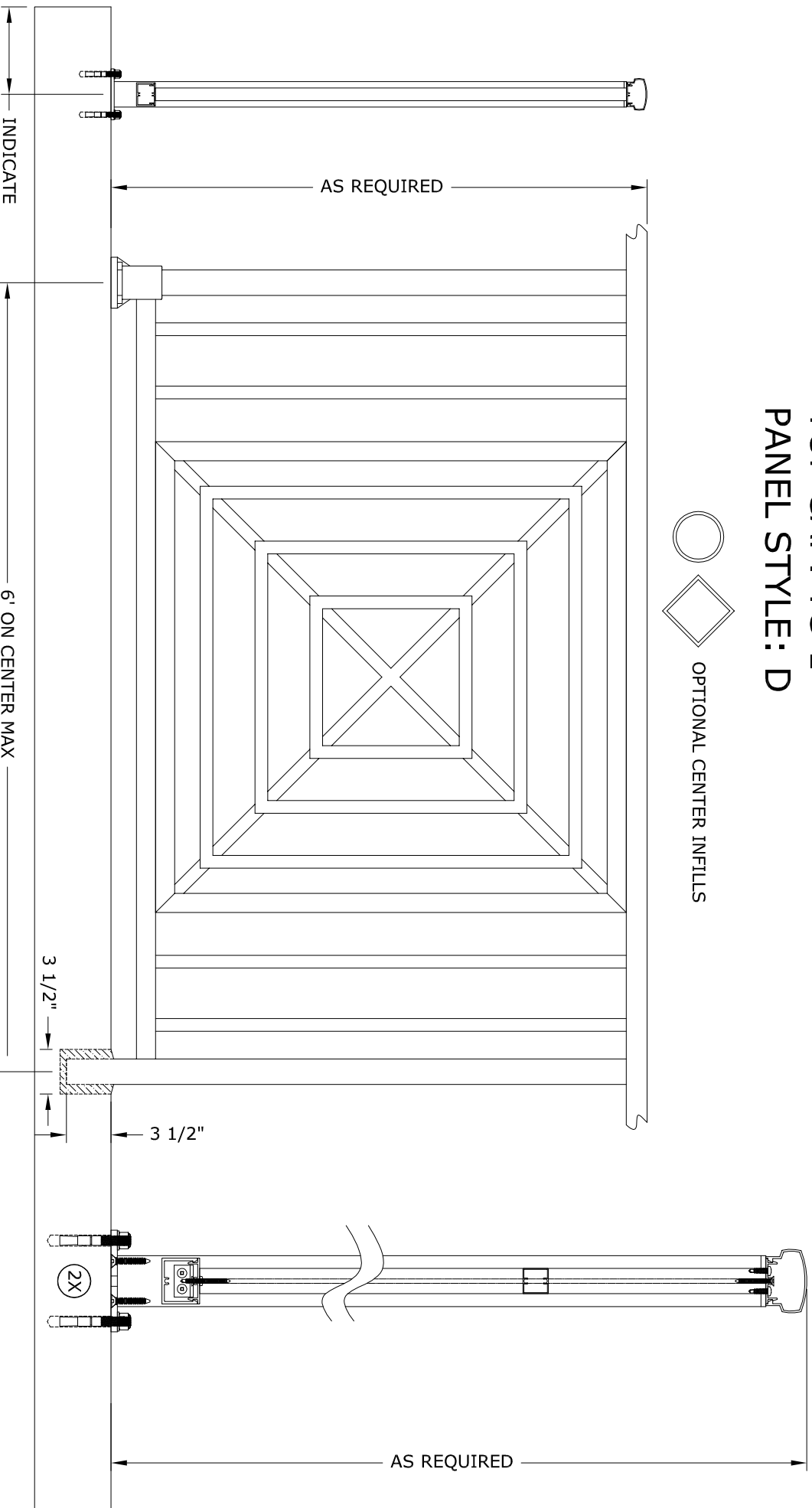
POST: 2" SQ. X 1/8"

TOP CAP: TC-1

PANEL STYLE: D



OPTIONAL CENTER INFILLS



RailingWorks™
Architectural Railing Systems by Nexan

1213 26th Street SW, Cullman, AL 35055
1-888-739-6172 Fax: 256-739-6173
Email: sales@nexaninc.com
Web: www.nexaninc.com

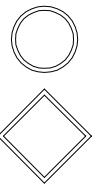
ALUMINUM PANEL RAILING

STYLE: 2 LINE PICKET

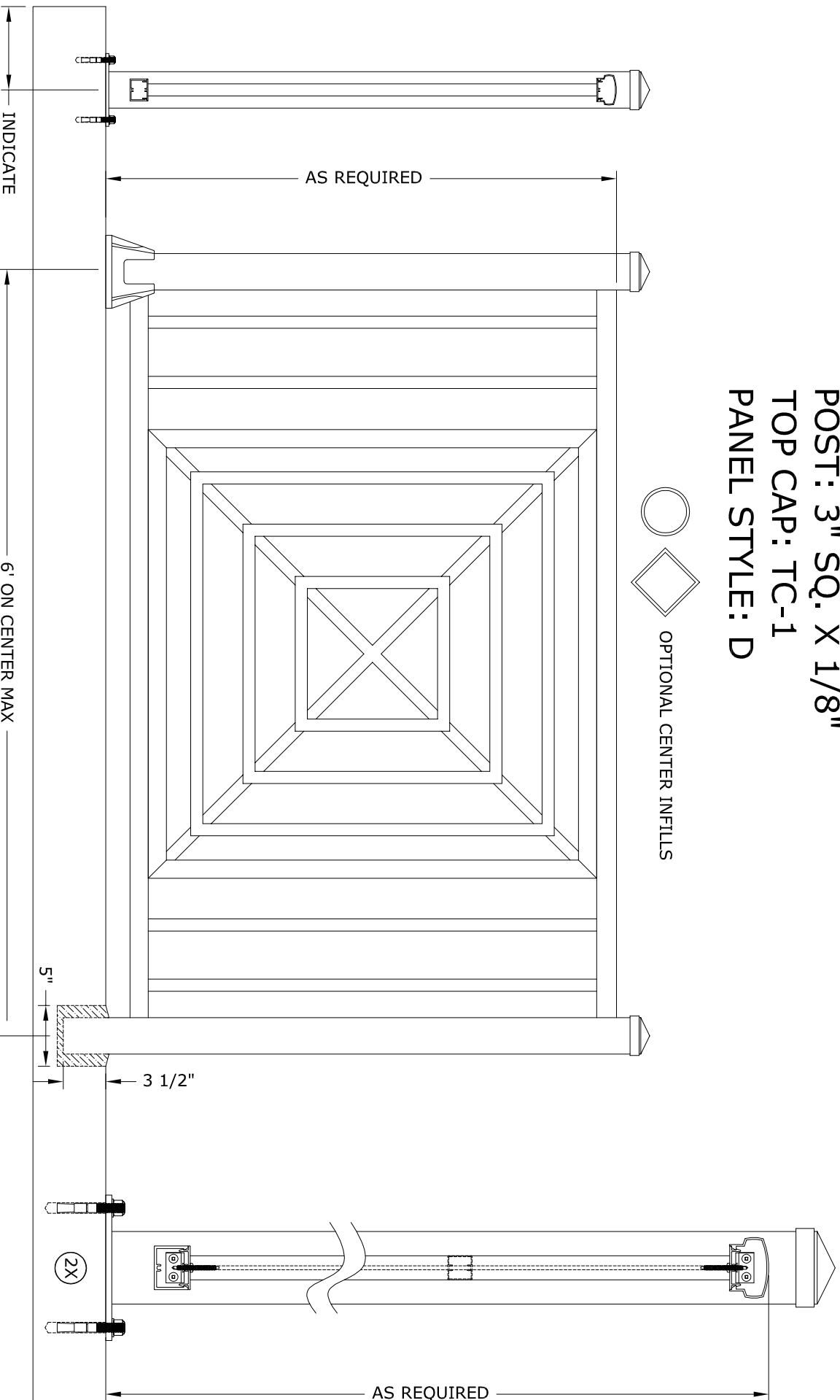
POST: 3" SQ. X 1/8"

TOP CAP: TC-1

PANEL STYLE: D



OPTIONAL CENTER INFILLS



RailingWorks™

Architectural Railing Systems by Nexan

1213 26th Street SW, Cullman, AL 35055

1-888-739-6172 Fax: 256-739-6173

Email: sales@nexaninc.com

Web: www.nexaninc.com

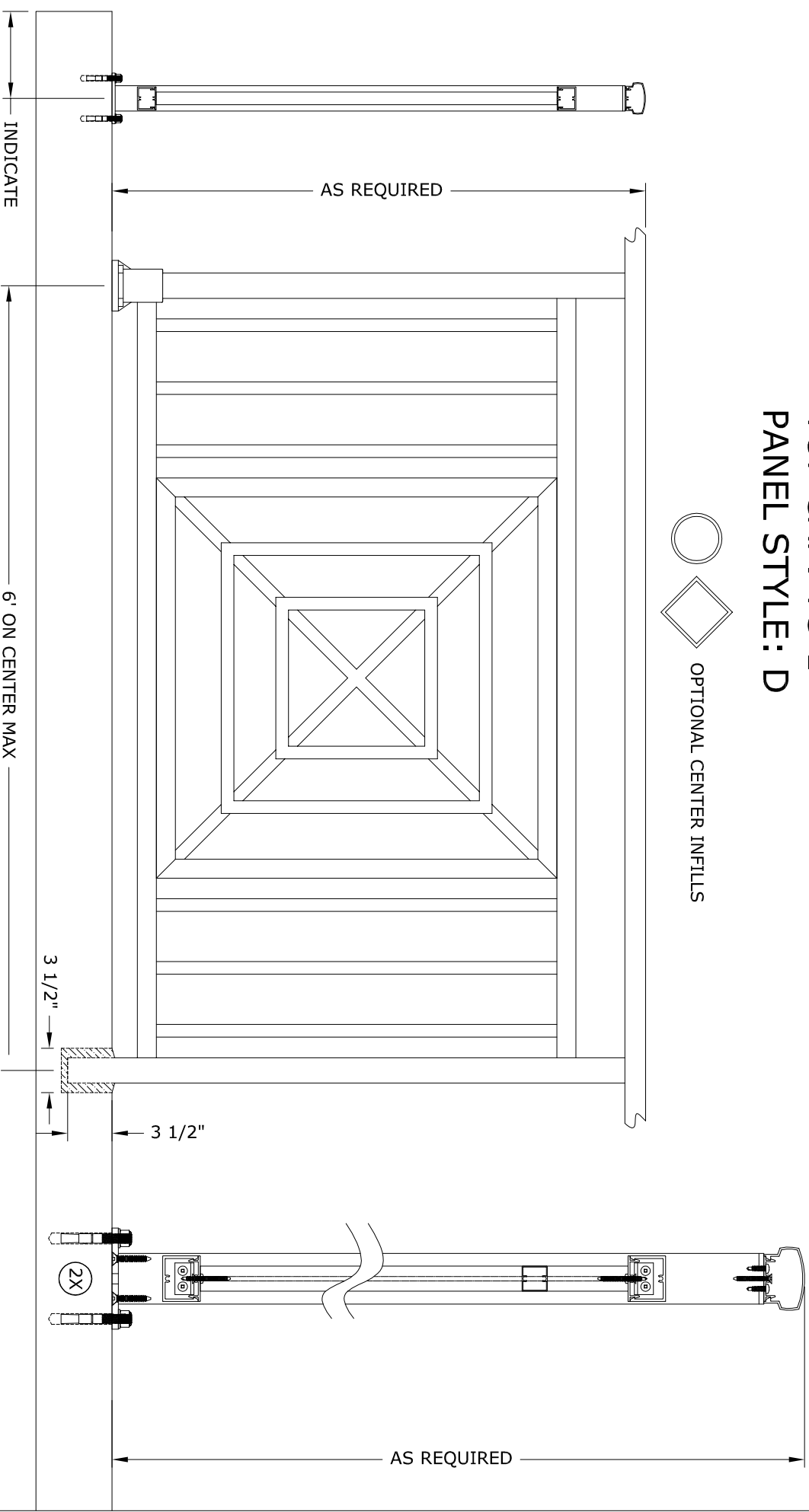
ALUMINUM PANEL RAILING

STYLE: 3 LINE PICKET

POST: 2" SQ. X 1/8"

TOP CAP: TC-1

PANEL STYLE: D



RailingWorks™

Architectural Railing Systems by Nexan

1213 26th Street SW, Cullman, AL 35055
1-888-739-6172 Fax: 256-739-6173
Email: sales@nexaninc.com
Web: www.nexaninc.com

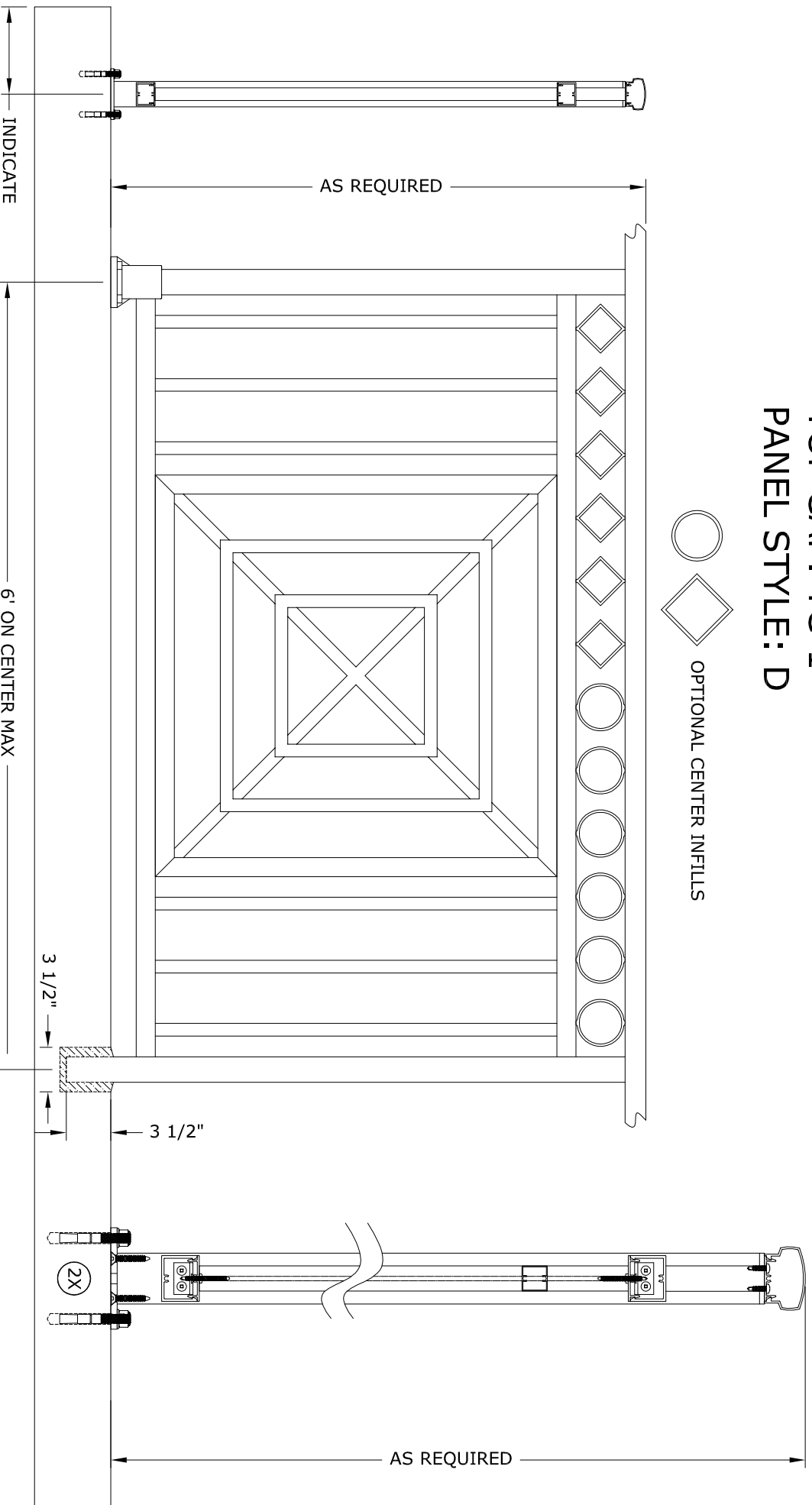
ALUMINUM PANEL RAILING

STYLE: 3 LINE PICKET - CIRCLE OR DIAMOND

POST: 2" SQ. X 1/8"

TOP CAP: TC-1

PANEL STYLE: D



RailingWorks™

Architectural Railing Systems by Nexan

1213 26th Street SW, Cullman, AL 35055

1-888-739-6172 Fax: 256-739-6173

Email: sales@nexaninc.com

Web: www.nexaninc.com