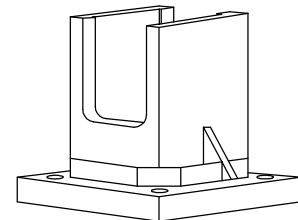
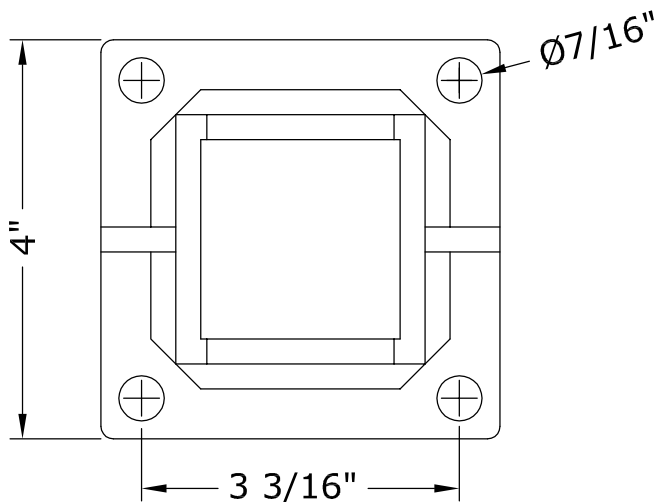
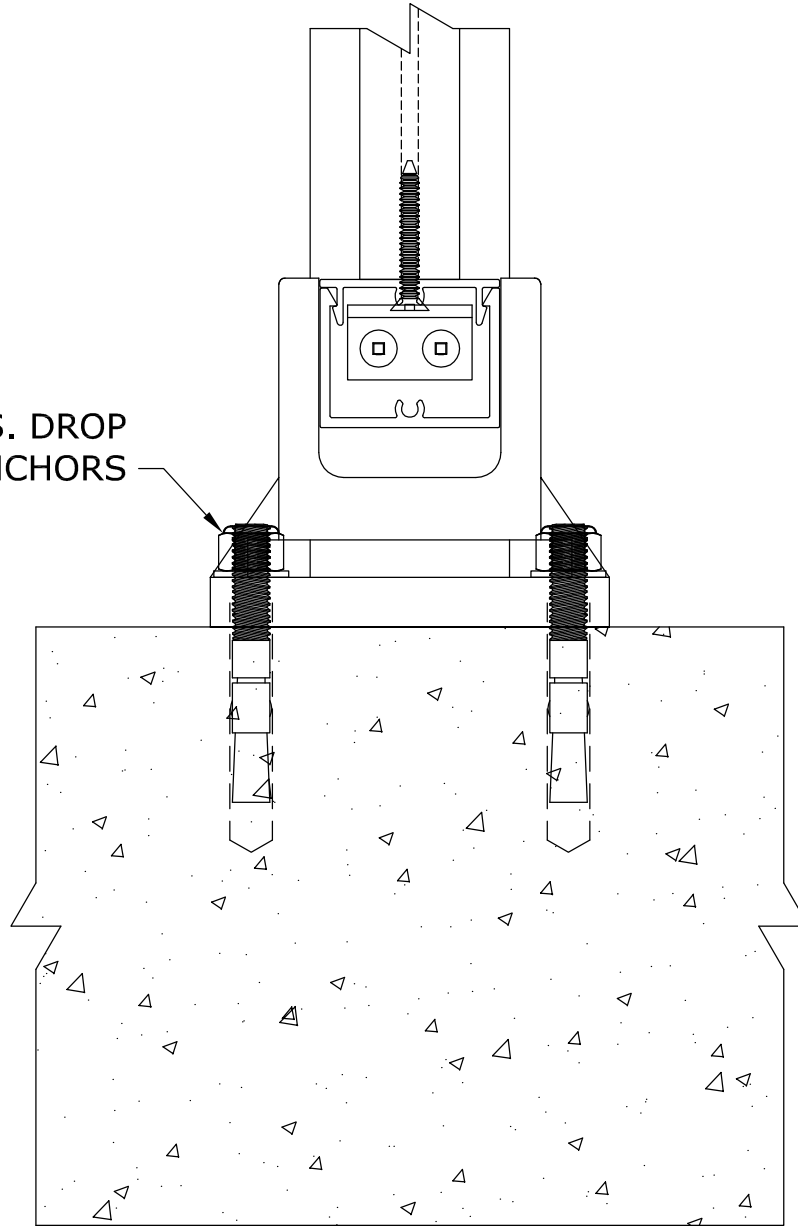


ANCHORING DETAILS CAST PEDESTAL BASE 2" POST

3 1/2" S.S. DROP
IN CONCRETE ANCHORS



DRAWING FILE: SPEC.5.dwg

RailingWorks™

Architectural Railing Systems by Nexan

1213 26th Street SW Cullman, AL 35055
1-888-739-6172 Fax: 256-739-6173
Email: sales@nexaninc.com
Web: www.nexaninc.com