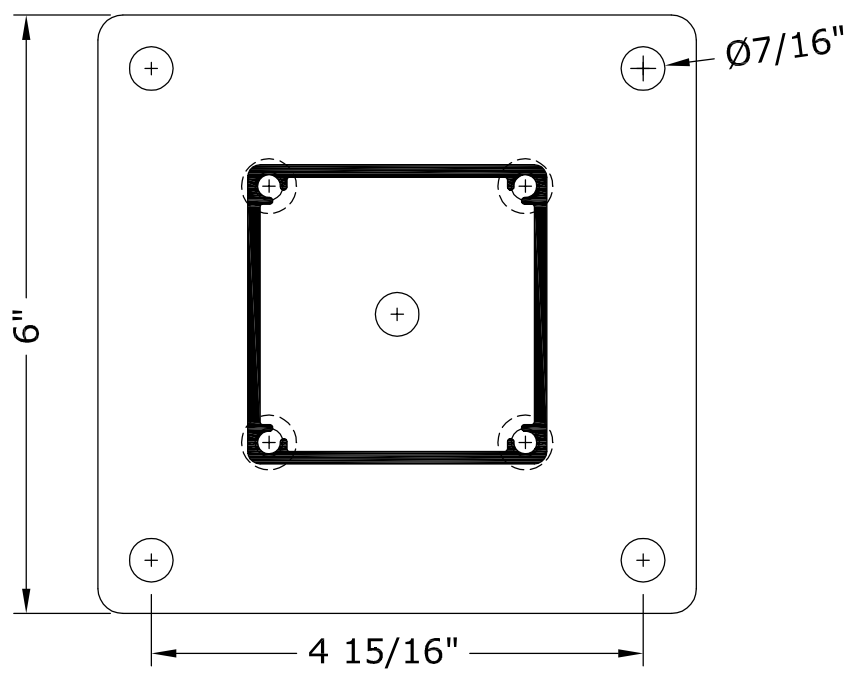
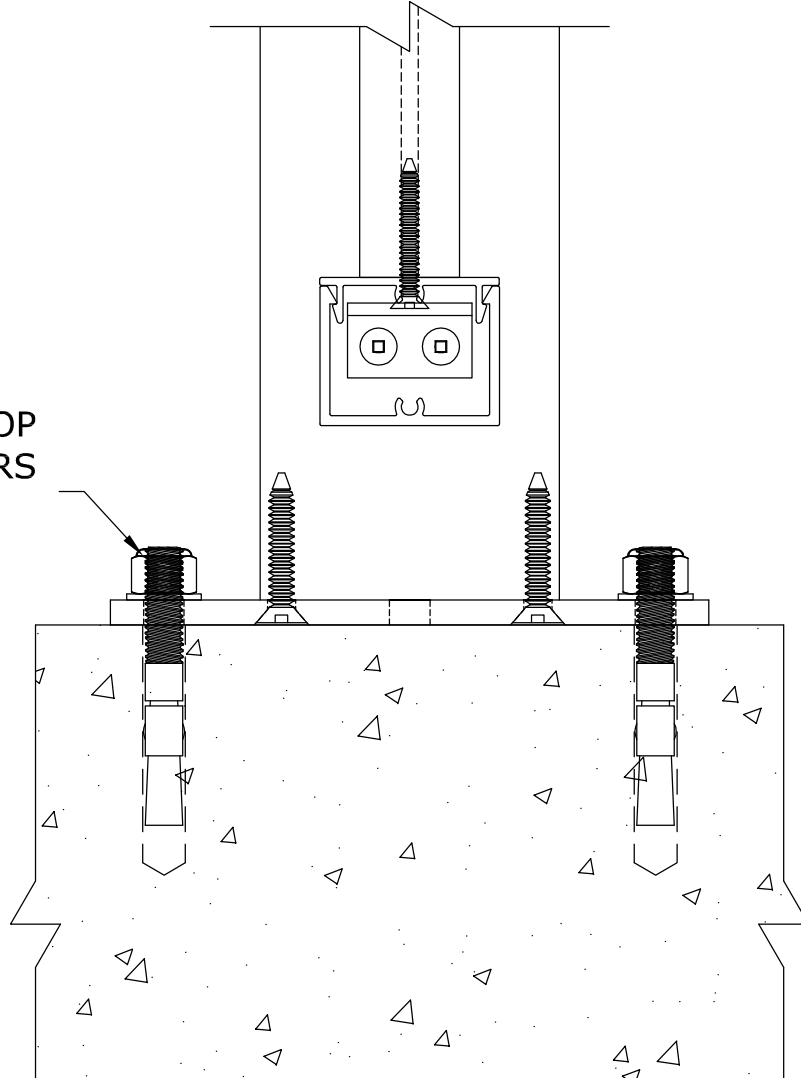


ANCHORING DETAILS FLAT PEDESTAL MOUNT 3" POST

3 1/2" S.S. DROP
IN CONCRETE ANCHORS



DRAWING FILE: SPEC.6.dwg

RailingWorks™
Architectural Railing Systems by Nexan
1213 26th Street SW Cullman, AL 35055
1-888-739-6172 Fax: 256-739-6173
Email: sales@nexaninc.com
Web: www.nexaninc.com