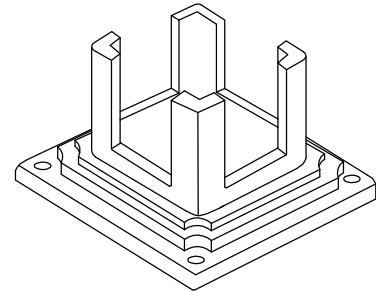
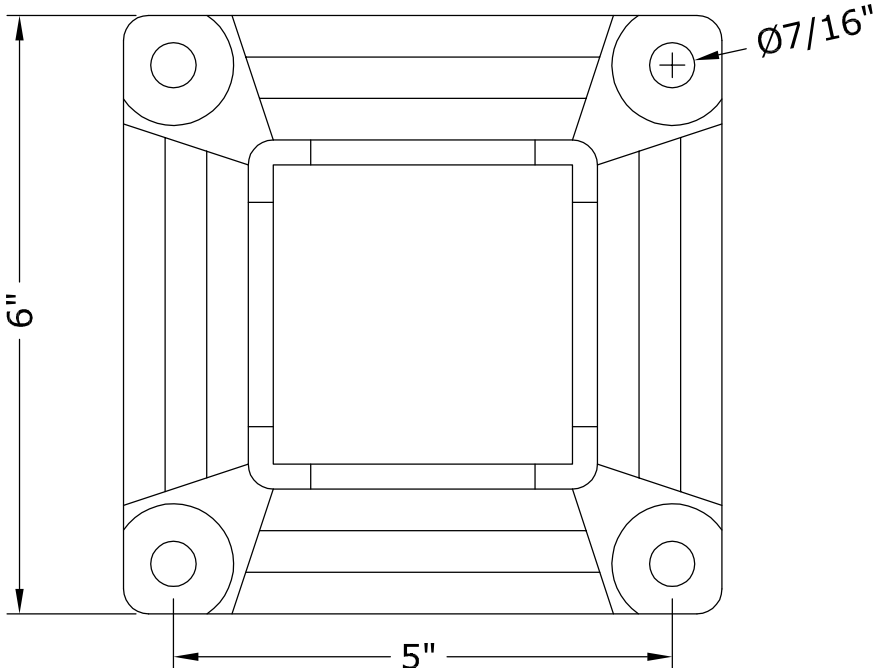
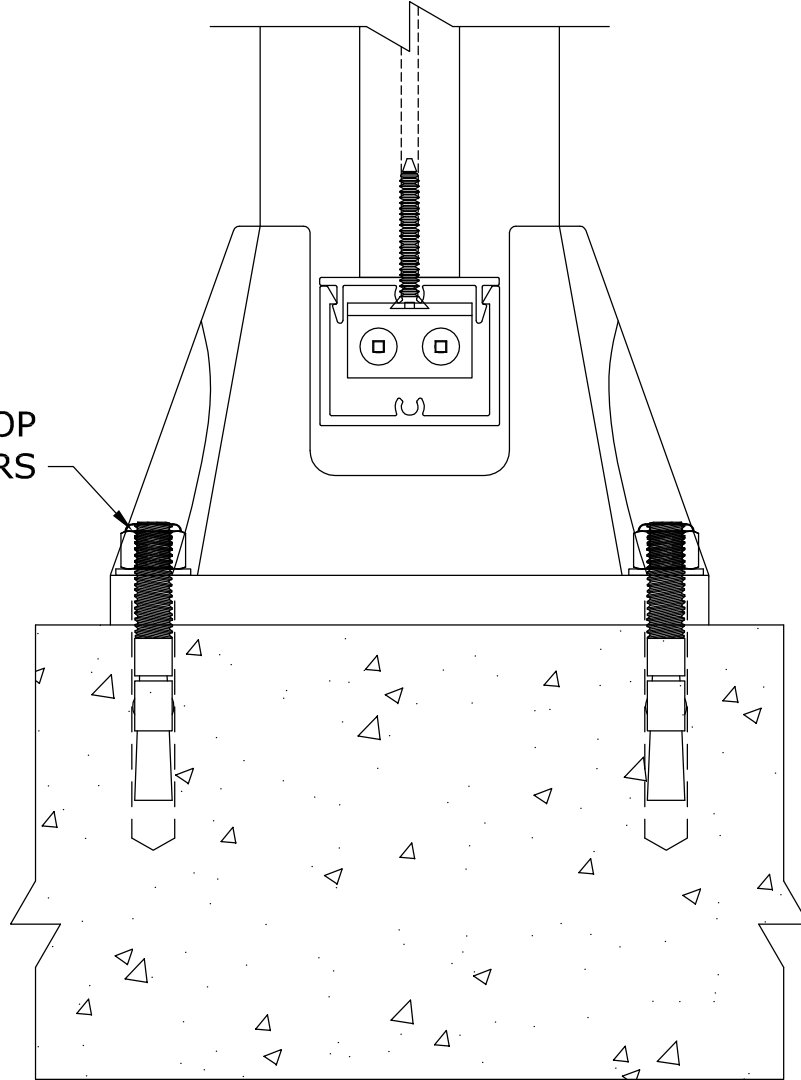


# ANCHORING DETAILS CAST PEDESTAL BASE 3" POST

3 1/2" S.S. DROP  
IN CONCRETE ANCHORS



DRAWING FILE: SPEC.7.dwg

**RailingWorks™**

Architectural Railing Systems by Nexan

1213 26th Street SW Cullman, AL 35055

1-888-739-6172 Fax: 256-739-6173

Email: sales@nexaninc.com

Web: www.nexaninc.com